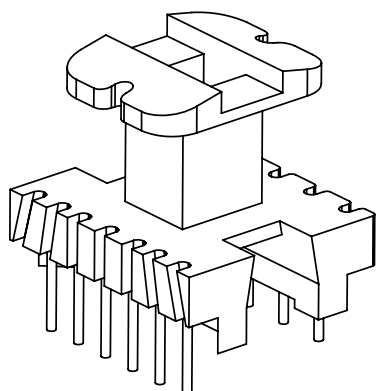
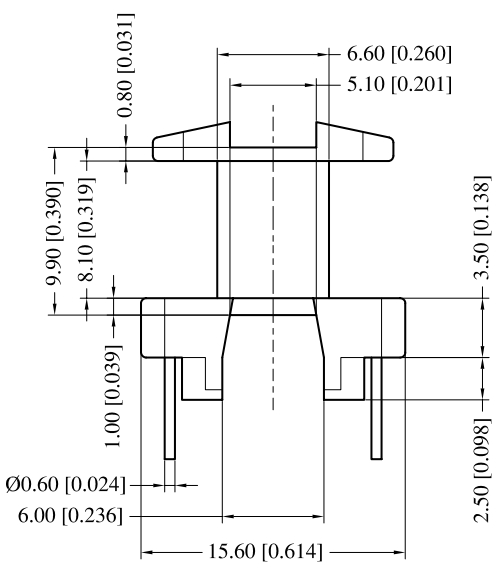
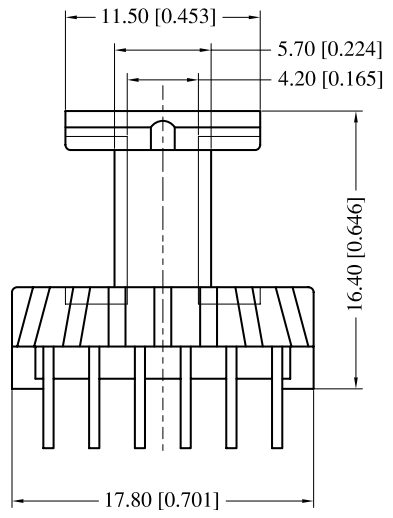
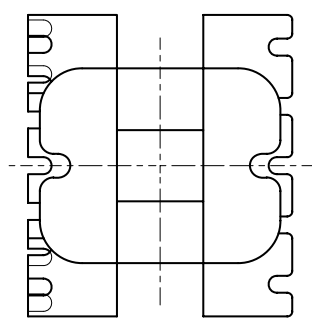


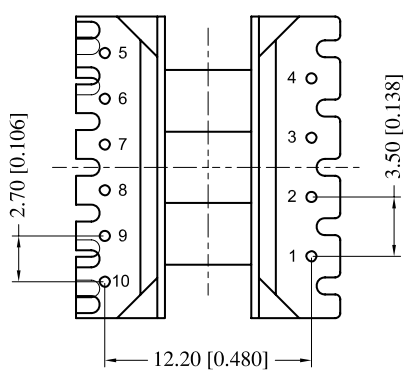
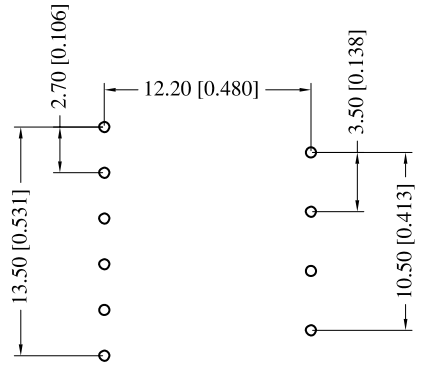
<b>Core cross reference (x = material variation within a size)</b>			Winding Area (mm <sup>2</sup> )	LODESTONE PACIFIC <b>B-EE16V-10-1-PH</b>
Fair-Rite: E16/8/5	Micrometals: None	Magnetics:		
Nicera: FEE-16	Epcos: None	MMG: 32-370-XX		
Ferroxcube: E/16/8/5-XXXX	TDK: None	Siemens: B66393		



TOP



BOTTOM



© 2006

	Scale	Tolerance (Inches)	Tolerance (mm)	No. of Terminals	Terminal Plating	Terminal Material	Terminal Type	
	None	.XXX ± .008 .XX ± .012	.XX ± 0.20 .X ± 0.30	10	100% Tin	CP Wire	Through Hole	
<p style="text-align: center;"><b>LODESTONE PACIFIC</b></p> <hr/> <p>Phone: (714)970-0900. Fax: (714)970-0800 4769 Wesley Drive, Anaheim, California, 92807, USA Web: www.lodestonepacific.com E-Mail: sales@lodestonepacific.com</p>					Molding Material	UL File No.	Rating	Class
					PHENOLIC	E41429(M)	UL94-VO	N
					Lodestone's Part Number			Rev.
<b>B-EE16V-10-1-PH</b>			<b>1</b>					