

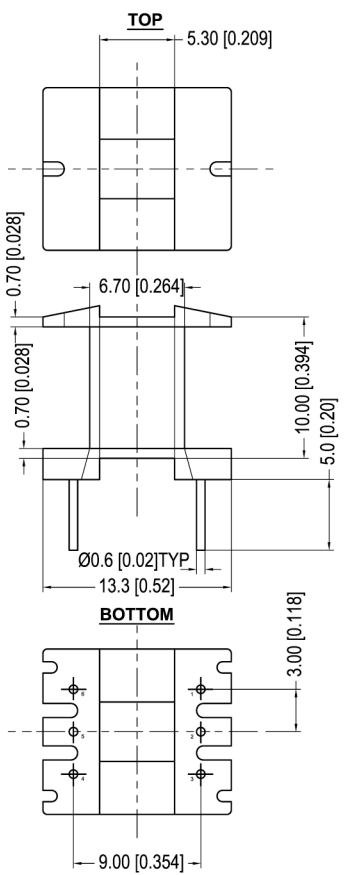
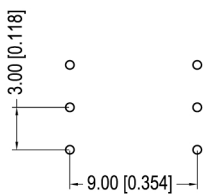
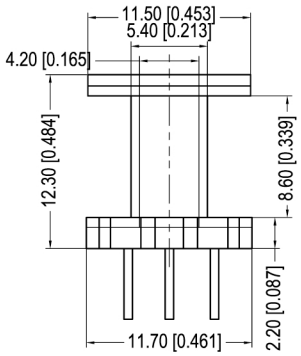
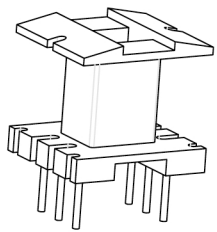
Core cross reference (x = material variation within a size)

Fair-Rite:	Micrometals:	Magnetics:
Nicera: FEE-16	Epcos: B66393	MMG:
Ferroxcube:	TDK:	

Winding Area (mm²)

LODESTONE PACIFIC

B-EE16V-6-1-PH3



© 2006

	Scale	Tolerance (Inches)	Tolerance (mm)	No. of Terminals	Terminal Plating	Terminal Material	Terminal Type
	None	.XXX ±.008 .XX ±.012	.XX ±0.20 .X ± 0.30	6	100% Tin	CP WIRE	Through Hole
		Molding Material	UL File No.	Rating	Class		
		PHENOLIC	E59481	UL94-V0	F		
					Lodestone's Part Number		Rev.
					B-EE16V-6-1-PH3		1

Phone:(714)970-0900.Fax:(714)970-0800
 4769 Wesley Drive,Anaheim,California,92807,USA
 Web:www.lodestonepacific.com E-Mail:sales@lodestonepacific.com