

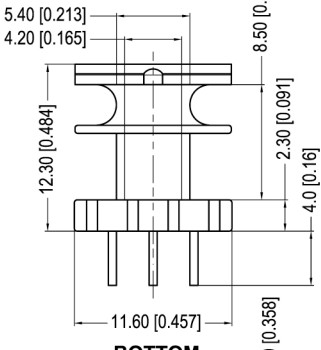
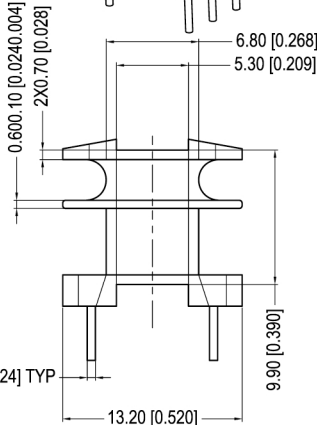
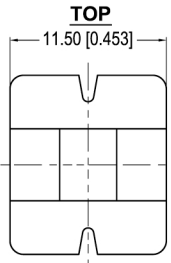
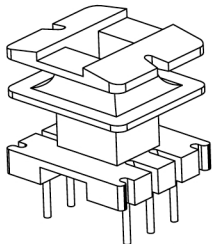
Core reference (x = material variation within a size)

Winding Area  
(mm<sup>2</sup>)

LODESTONE PACIFIC

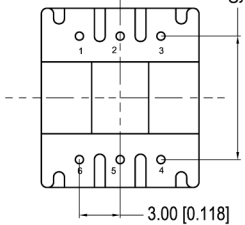
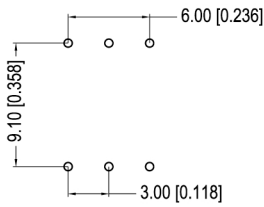
**B-EE16V-6-2-PH3**

Fair-Rite:	Micrometals:	Magnetics:
Nicra: FEE-16	Epos: B66393	MMG:
Ferroxcube:	TDK:	



Ø0.60 [0.024] TYP

**BOTTOM**



© 2006

	Scale	Tolerance (Inches)	Tolerance (mm)	No. of Terminals	Terminal Plating	Terminal Material	Terminal Type	
	None	.XXX ± .008 .XX ± .012	XX ± 0.20 .X ± 0.30	6	100% Tin	CP WIRE	Through Hole	
<b>LODESTONE PACIFIC</b>					Molding Material	UL File No.	Rating	Class
					PHENOLIC	E59481	UL94-VO	F
					Lodestone's Part Number			Rev.
					<b>B-EE16V-6-2-PH3</b>			<b>1</b>

Phone:(714)970-0900.Fax:(714)970-0800  
4769 Wesley Drive,Anaheim,California,92807,USA  
Web:www.lodestonepacific.com E-Mail:sales@lodestonepacific.com