

Core cross reference (x = material variation within a size)

Fair-Rite: 94**015002	Micrometals: E100-*	Magnetics: *-42510-EC
Nicera: FEE-25.3	Epcos: B66315	MMG: 32-030-**
Ferroxcube: 812E250-3***	TDK: PC**EE25.4-Z	

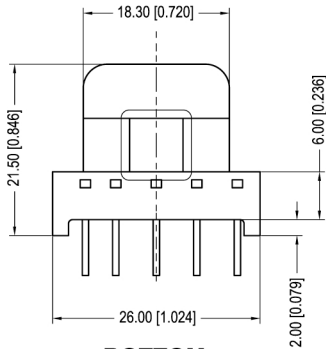
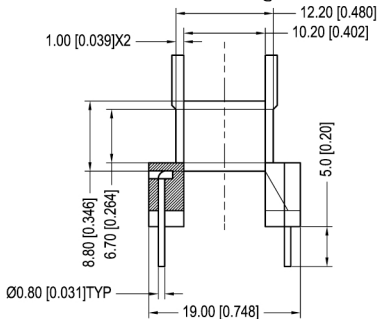
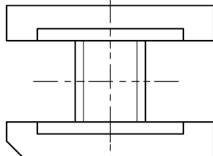
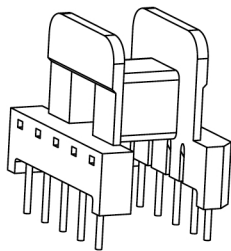
Winding Area (mm²)

LODESTONE PACIFIC

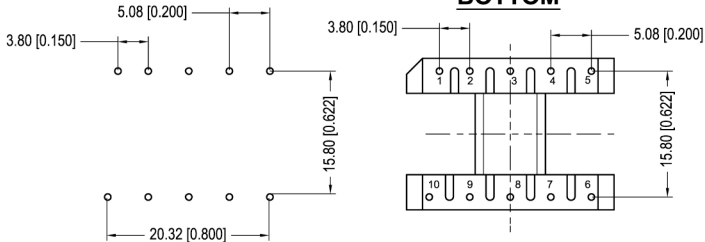
B-EE2425H-10-1-PBT



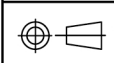
TOP



BOTTOM



© 2006



Scale	Tolerance (Inches)	Tolerance (mm)	No. of Terminals	Terminal Plating	Terminal Material	Terminal Type
None	.XXX ±.008 .XX ±.012	.XX ±0.20 .X ±0.30	10	100% Tin	CP WIRE	Through Hole

LODESTONE PACIFIC



Phone:(714)970-0900.Fax:(714)970-0800
4769 Wesley Drive,Anaheim,California,92807,USA
Web:www.lodestonepacific.com E-Mail:sales@lodestonepacific.com

Molding Material	UL File No.	Rating	Class
PBT	E59481	UL94-VO	B
Lodestone's Part Number			Rev.
B-EE2425H-10-1-PBT			1