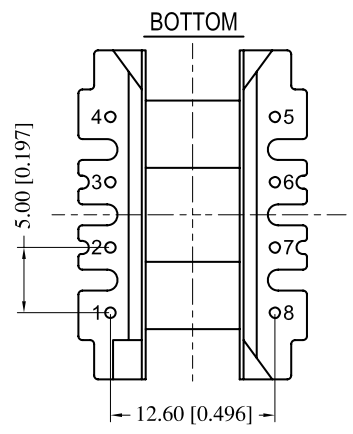
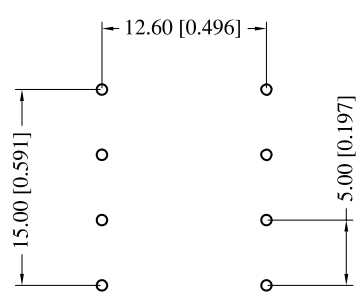
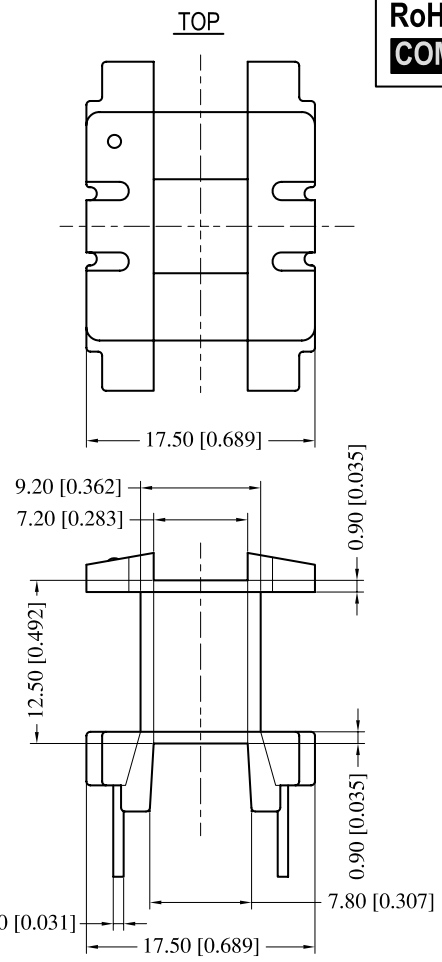
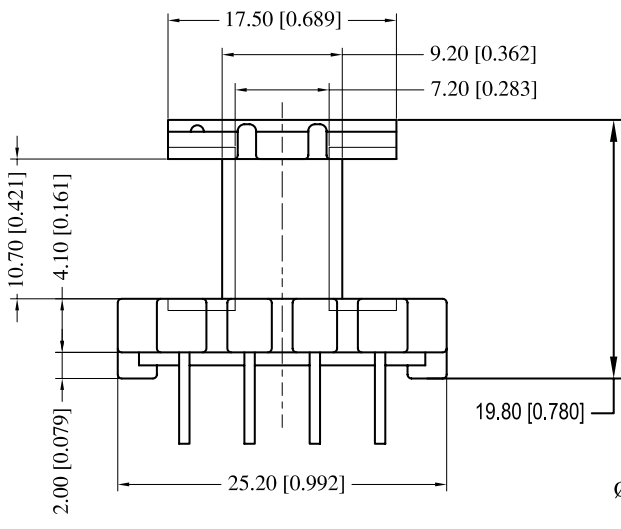
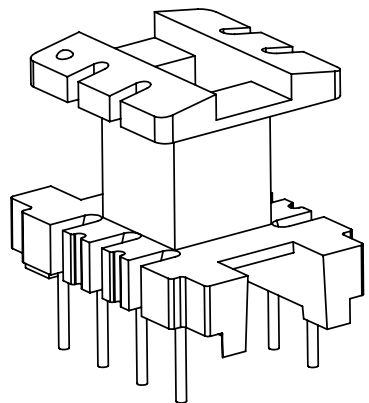


**Core cross reference (x = material variation within a size)**

Fair-Rite: 94XX015002	Micrometals: E100-XX	Magnetics: XX-42510-EC
Nicera: FEE-25.3	Epcos: None	MMG: E25/10/6
Ferroxcube: 812E250-3XXX	TDK: PCXXEE25.4	F/R Intl.: TSFXXX-25-10-06

Winding Area  
(mm<sup>2</sup>)

LODESTONE PACIFIC  
**B-EE2425V-8-1-PH3**



© 2006

	Scale	Tolerance (Inches)	Tolerance (mm)	No. of Terminals	Terminal Plating	Terminal Material	Terminal Type		
	None	.XXX ± .008 .XX ± .012	.XX ± 0.20 .X ± 0.30	8	100% Tin	CP Wire	Through Hole		
<p style="text-align: center;"><b>LODESTONE PACIFIC</b></p> <p>Phone: (714)970-0900. Fax: (714)970-0800 4769 Wesley Drive, Anaheim, California, 92807, USA Web: www.lodestonepacific.com E-Mail: sales@lodestonepacific.com</p>						Molding Material	UL File No.	Rating	Class
						PHENOLIC	E41429(M)	UL94-VO	N
						Lodestone's Part Number			Rev.
<b>B-EE2425V-8-1-PH3</b>			<b>1</b>						