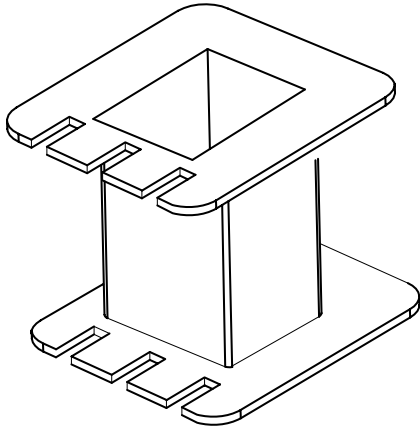


Core cross reference (x = material variation within a size)

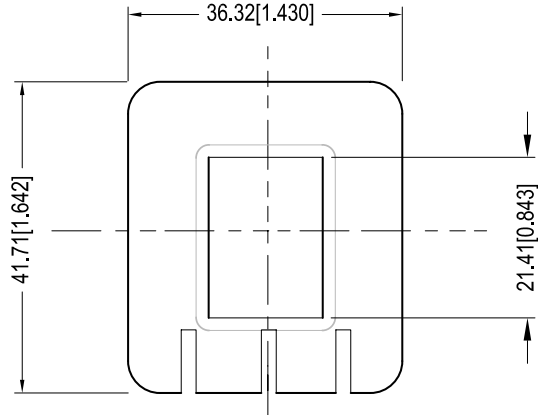
Fair-Rite:	Micrometals: E220-XX	Magnetics: XX-45528-EC
Nicera: None	Epcos: B66335	MMG:
Ferroxcube: EE55/28/21	TDK: EE55/21	Phillips: E55

Winding Area
(mm²)

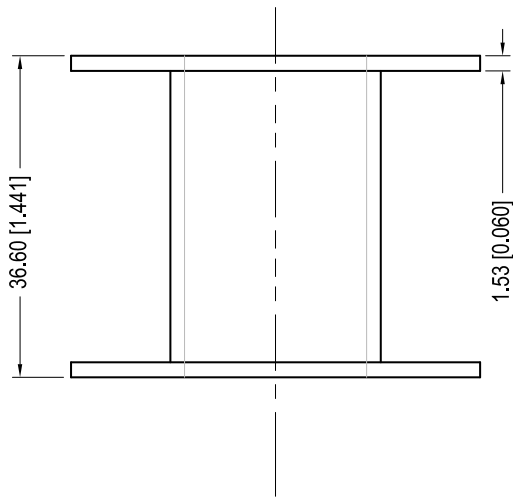
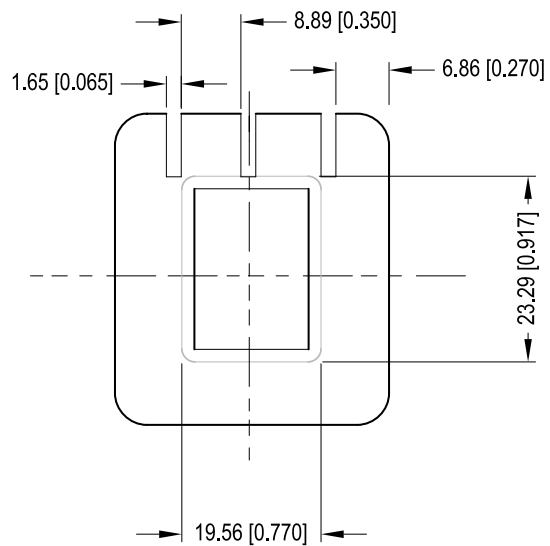
LODESTONE PACIFIC
B-EE55X21-0-1-GFN3



TOP



BOTTOM



© 2006

Scale	Tolerance (Inches)	Tolerance (mm)	No. of Terminals	Terminal Plating	Terminal Material	Terminal Type	
None	.XXX ±.008 .XX ±.012	.XX ±0.20 .X ± 0.30	N/A	N/A	N/A	N/A	
<p style="text-align: center;">LODESTONE PACIFIC</p> <p>Phone:(714)970-0900.Fax:(714)970-0800 4769 Wesley Drive.Anaheim,California,92807.USA Web:www.lodestonepacific.com E-Mail:sales@lodestonepacific.com</p>				Molding Material	UL File No.	Rating	Class
				Zytel	E41938	UL94-V2	B
				Lodestone's Part Number			Rev.
B-EE55X21-0-1-GFN3			1				