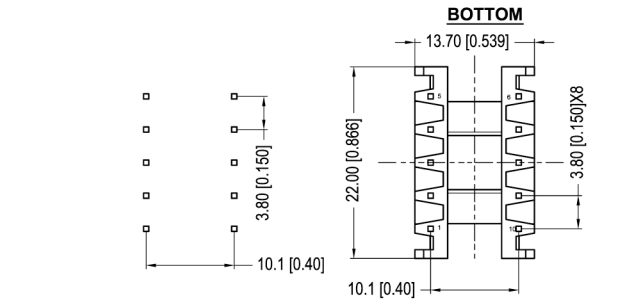
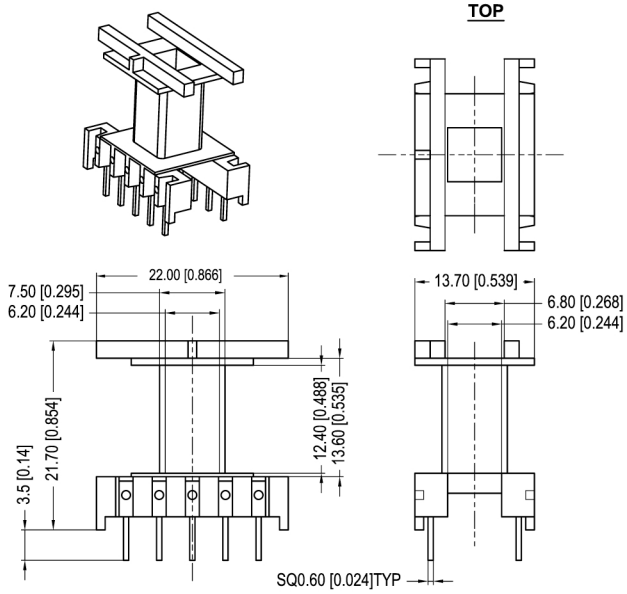


Core cross reference (x = material variation within a size)

Fair-Rite:	Micrometals:	Magnetics:
Nicera:	Epcos: B66311	MMG: 32-180-XX
Ferroxcube:	TDK: PCXXEF20-Z	

Winding Area
(mm²)

LODESTONE PACIFIC
B-EF20V-10-1-PET



© 2006

	Scale	Tolerance (Inches)	Tolerance (mm)	No. of Terminals	Terminal Plating	Terminal Material	Terminal Type	
	None	.XXX ± .008 .XX ± .012	.XX ± 0.20 .X ± 0.30	10	100% Tin	CP WIRE	Through Hole	
<p style="text-align: center;">LODESTONE PACIFIC</p> <p>4769 Wesley Drive, Anaheim, California, 92807, USA Web: www.lodestonepacific.com E-Mail: sales@lodestonepacific.com</p>					Molding Material	UL File No.	Rating	Class
					PET	41938	UL94-V0	N
Lodestone's Part Number							Rev.	
B-EF20V-10-1-PET							1	