

Core cross reference (x = material variation within a size)

Winding Area (mm²)

LODESTONE PACIFIC

Fair-Rite: Micrometals:

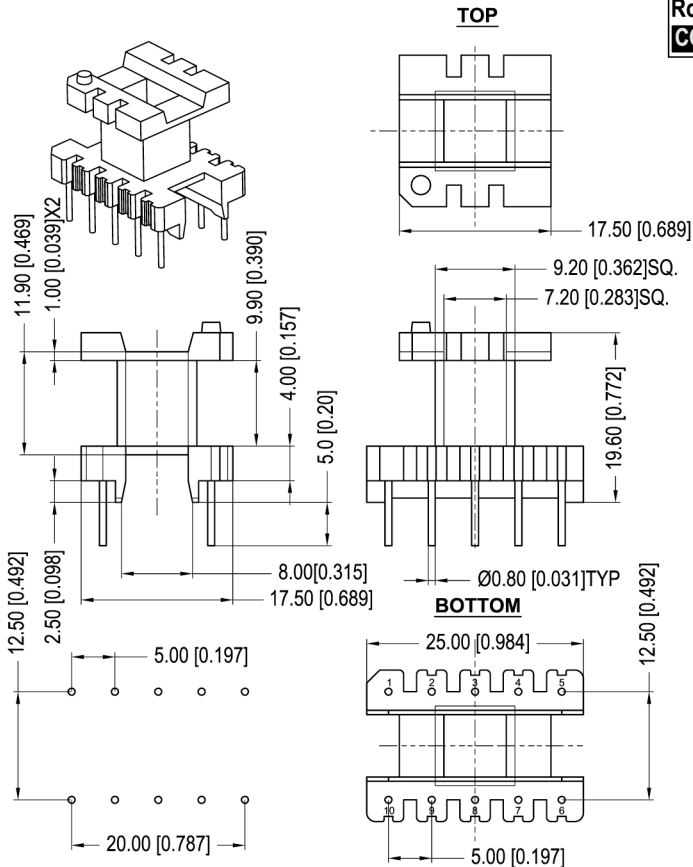
Magnetics:

Nicera: Epcos: B66317

MMG: 32-190-XX

B-EF25V-10-1-PH3

Ferroxcube: TDK: PCXXEF25-Z



© 2006

Scale	Tolerance (Inches)	Tolerance (mm)	No. of Terminals	Terminal Plating	Terminal Material	Terminal Type	
						Through Hole	
None	.XXX ± .008 .XX ± .012	.XX ± 0.20 .X ± 0.30	10	100% Tin	CP WIRE	Through Hole	
<p style="text-align: center;">LODESTONE PACIFIC</p>				Molding Material	UL File No.	Rating	Class
				PHENOLIC	E59481	UL94-VO	F
Lodestone's Part Number						Rev.	
B-EF25V-10-1-PH3						1	

Phone: (714) 970-0900. Fax: (714) 970-0800
 4769 Wesley Drive, Anaheim, California, 92807, USA
 Web: www.lodestonepacific.com E-Mail: sales@lodestonepacific.com