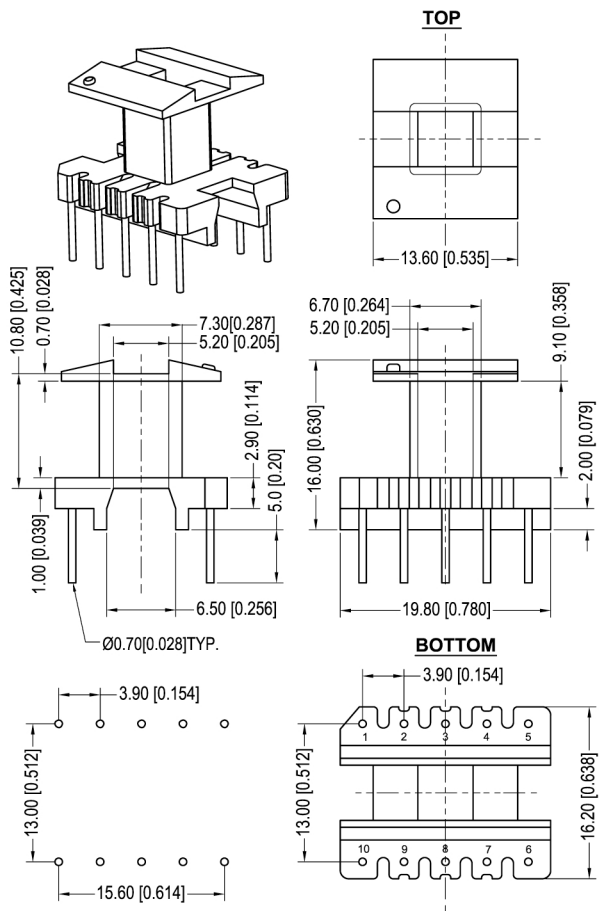


Core reference (x = material variation within a size)

Fair-Rite: 94XX016002	Micrometals: E75-X	Magnetics: X-41808-EC
Nicera:FEE-19.3	Epcos: B66379	MMG:
Ferroxcube: 813E187-3XXX	TDK: XXXEE19/6-Z	

Winding Area (mm<sup>2</sup>)

LODESTONE PACIFIC  
**B-EI187V-10-1-PH3**



© 2006

	Scale	Tolerance (Inches)	Tolerance (mm)	No. of Terminals	Terminal Plating	Terminal Material	Terminal Type	
	None	.XXX ± .008 .XX ± .012	.XX ± 0.20 .X ± 0.30	10	100% Tin	CP Wire	Through Hole	
<p style="text-align: center;"><b>LODESTONE PACIFIC</b></p>					Molding Material	UL File No.	Rating	Class
					Phenolic	E59481	UL94-V0	F
<p style="text-align: center;">Lodestone's Part Number</p>							Rev.	
<b>B-EI187V-10-1-PH3</b>							<b>1</b>	

Phone:(714)970-0900.Fax:(714)970-0800  
4769 Wesley Drive,Anaheim,California,92807,USA  
Web:www.lodestonepacific.com E-Mail:sales@lodestonepacific.com