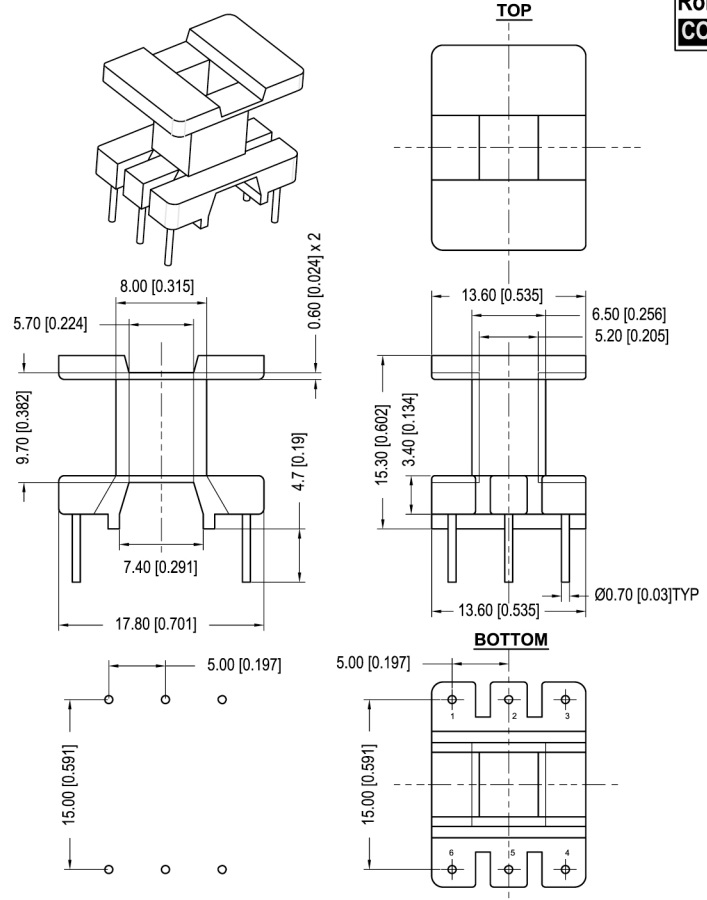


Core cross reference (x = material variation within a size)

Fair-Rite:	Micrometals: E75-XX	Magnetics: X-41808-EC
Nicera: FEE-193	Epcos: B66379	MMG:
Ferroxcube: 813E187-3 XXX	TDK: XXX EE19/16-Z	

Winding Area
(mm²)

LODESTONE PACIFIC
B-EI187V-6-1-PH3



© 2006

	Scale	Tolerance (Inches)	Tolerance (mm)	No. of Terminals	Terminal Plating	Terminal Material	Terminal Type	
	None	.XXX ± .008 .XX ± .012	.XX ± 0.20 .X ± 0.30	6	100% Tin	CP WIRE	Through Hole	
<p style="text-align: center;">LODESTONE PACIFIC</p>					Molding Material	UL File No.	Rating	Class
					PHENOLIC	E59481	UL94-VO	F
Lodestone's Part Number							Rev.	
B-EI187V-6-1-PH3							1	

Phone: (714)970-0900. Fax: (714)970-0800
 4769 Wesley Drive, Anaheim, California, 92807, USA
 Web: www.lodestonepacific.com E-Mail: sales@lodestonepacific.com