

Core cross reference (x = material variation within a size)

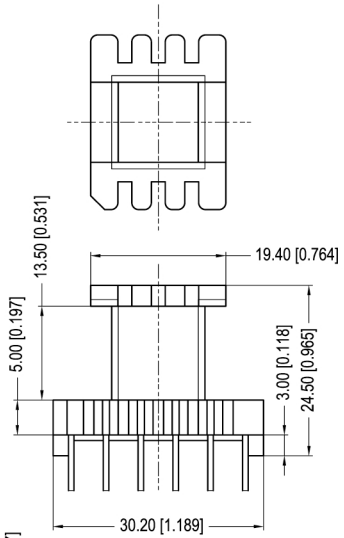
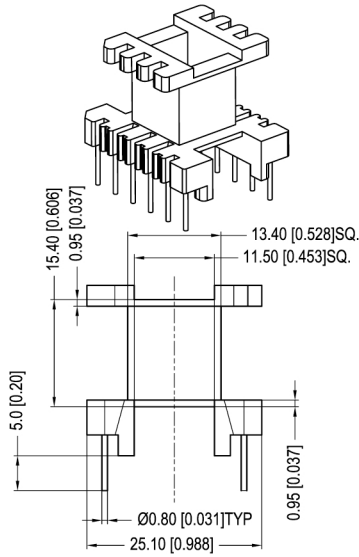
Fair-Rite:	Micrometals:	Magnetics:
Nicera:	Epcos:	MMG:
Ferroxcube:	TDK:	

Winding Area
(mm²)

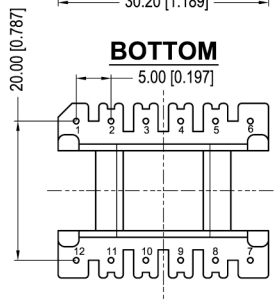
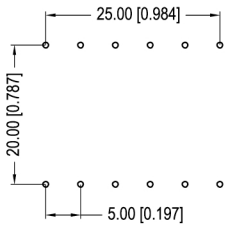
LODESTONE PACIFIC
B-EI30V-12-1-PH3



TOP



BOTTOM



© 2006

	Scale	Tolerance (Inches)	Tolerance (mm)	No. of Terminals	Terminal Plating	Terminal Material	Terminal Type	
	None	.XXX ± .008 .XX ± .012	XX ± 0.20 .X ± 0.30	12	100% Tin	CP WIRE	Through Hole	
<p style="text-align: center;">LODESTONE PACIFIC</p> <p>Phone: (714)970-0900. Fax: (714)970-0800 4769 Wesley Drive, Anaheim, California, 92807, USA Web: www.lodestonepacific.com E-Mail: sales@lodestonepacific.com</p>					Molding Material	UL File No.	Rating	Class
					PHENOLIC	E59481	UL94-VO	F
Lodestone's Part Number							Rev.	
B-EI30V-12-1-PH3							1	