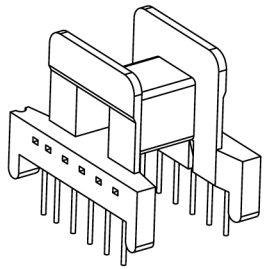


Core cross reference (x = material variation within a size)

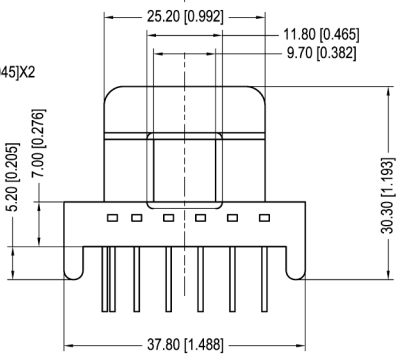
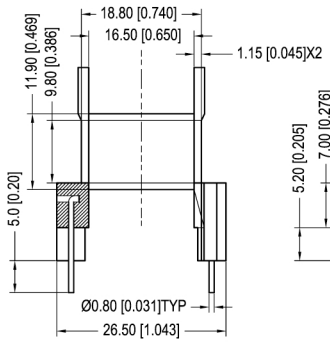
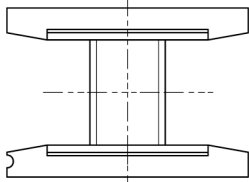
Fair-Rite: 94 XX 375002	Micrometals: E137-XX	Magnetics: X-43515-EC
Nicera: None	Epcos: B66370	MMG: 32-320-XX
Ferroxcube: E375-3 XXX	TDK: PC XX EE35/28-Z	

Winding Area
(mm²)

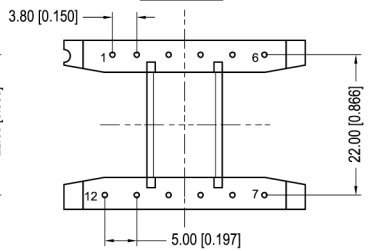
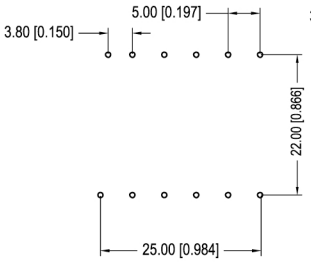
LODESTONE PACIFIC
B-EI375H-12-1-PBT



TOP



BOTTOM



© 2006

	Scale	Tolerance (Inches)	Tolerance (mm)	No. of Terminals	Terminal Plating	Terminal Material	Terminal Type	
	None	.XXX ±.008 .XX ±.012	.XX ±0.20 .X ±0.30	12	100% Tin	CP WIRE	Through Hole	
<p style="text-align: center;">LODESTONE PACIFIC</p> <p>Phone: (714)970-0900. Fax: (714)970-0800 4769 Wesley Drive, Anaheim, California, 92807, USA Web: www.lodestonepacific.com E-Mail: sales@lodestonepacific.com</p>					Molding Material	UL File No.	Rating	Class
					PBT	E59481	UL94-VO	B
Lodestone's Part Number								Rev.
B-EI375H-12-1-PBT								1