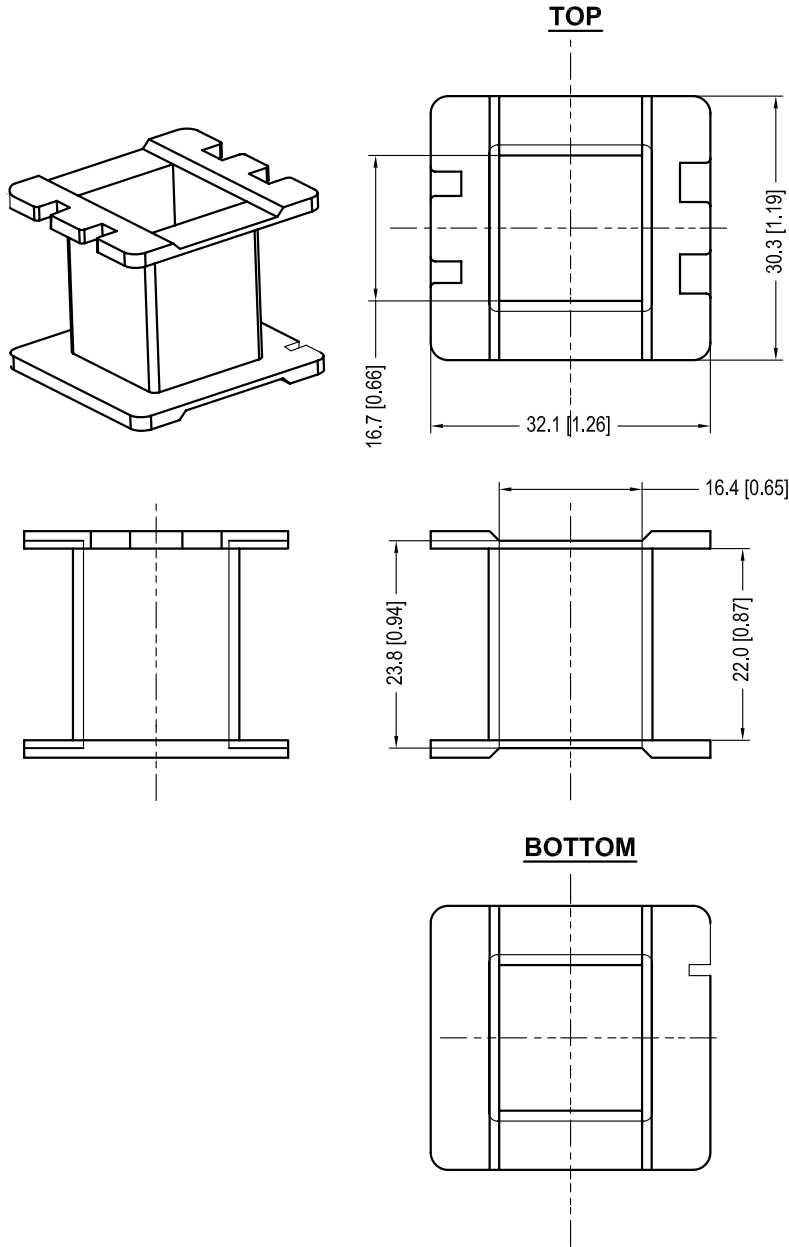


<b>Core cross reference (x = material variation within a size)</b>			Winding Area (mm <sup>2</sup> )	LODESTONE PACIFIC <b>B-EI625-0-1-GFN7</b>
Fair-Rite: 94XX625002	Micrometals: E187-X	Magnetics: X-44721-EC		
Nicera: None	Epcos: B66383	MMG: None		
Ferroxcube: E625-3XXX	TDK: PCXXEE47/39-Z			



© 2006

	Scale	Tolerance (Inches)	Tolerance (mm)	No. of Terminals	Terminal Plating	Terminal Material	Terminal Type	
	None	.XXX ±.008 .XX ±.012	.XX ±0.20 .X ±0.30	N/A	100% Tin	N/A	N/A	
<b>LODESTONE PACIFIC</b> 					Molding Material	UL File No.	Rating	Class
					Nylon	E154352	UL94-HB	B
					Lodestone's Part Number			Rev.
Phone:(714)970-0900.Fax:(714)970-0800 4769 Wesley Drive.Anaheim,California,92807,USA Web:www.lodestonepacific.com E-Mail:sales@lodestonepacific.com					<b>B-EI625-0-1-GFN7</b>		<b>1</b>	