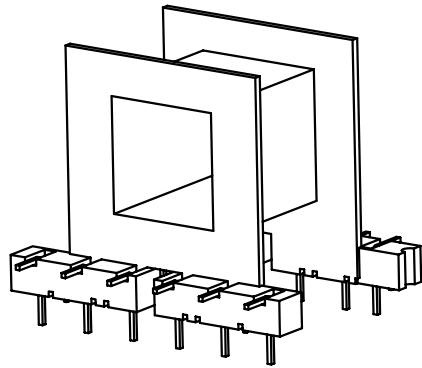
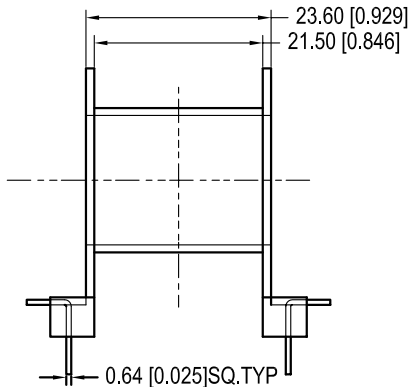
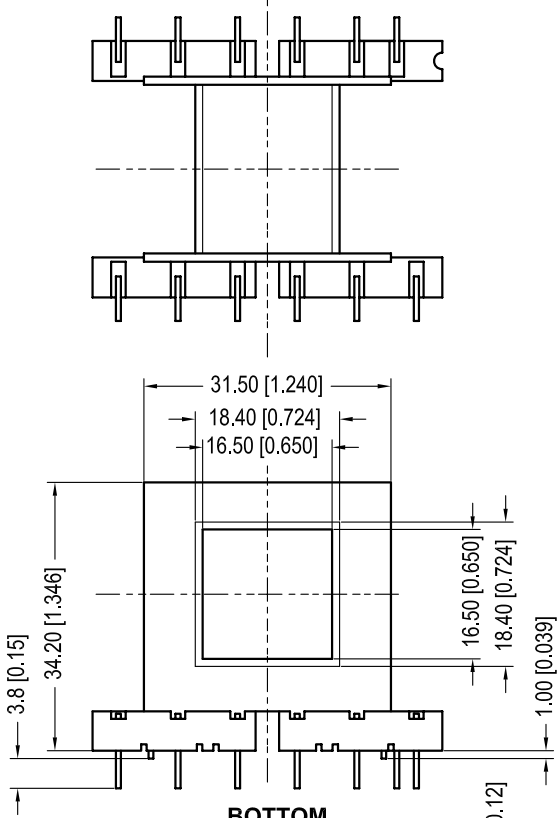


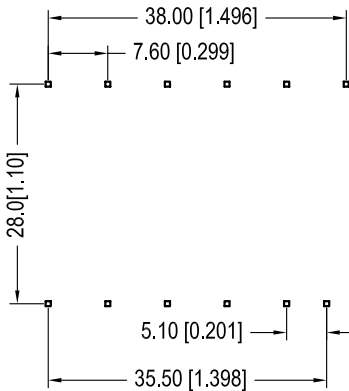
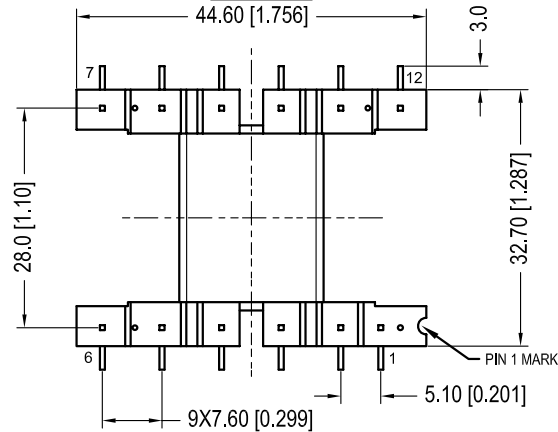
Core cross reference (x = material variation within a size)			Winding Area (mm <sup>2</sup> )	LODESTONE PACIFIC <b>B-EI625H-12-1-GFN7-L</b>
Fair-Rite: 94**625002	Micrometals: E187-*	Magnetics: *-44721-EC		
Nicera: None	Epcos: B66383	MMG: None		
Ferroxcube: E625-3***	TDK: PC**EE47/39-Z			



**TOP**



**BOTTOM**



© 2006

	Scale	Tolerance (Inches)	Tolerance (mm)	No. of Terminals	Terminal Plating	Terminal Material	Terminal Type	
	None	.XXX ±.008 .XX ±.012	.XX ±0.20 .X ±0.30	12	100% Tin	CP Wire	ST Type	
<p style="text-align: center;"><b>LODESTONE PACIFIC</b></p> <p>Phone: (714)970-0900 Fax: (714)970-0800 4769 Wesley Drive Anaheim, California, 92807, USA Web: www.lodestonepacific.com E-Mail: sales@lodestonepacific.com</p>					Molding Material	UL File No.	Rating	Class
					Nylon	E154352	UL94-V0	B
					Lodestone's Part Number			Rev.
<b>B-EI625H-12-1-GFN7-L</b>			<b>1</b>					