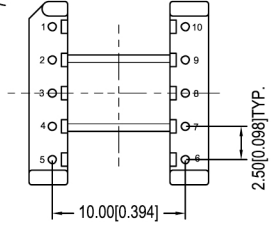
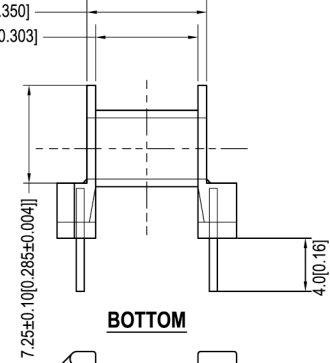
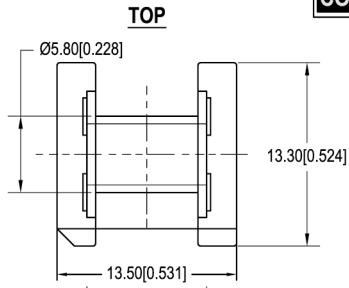
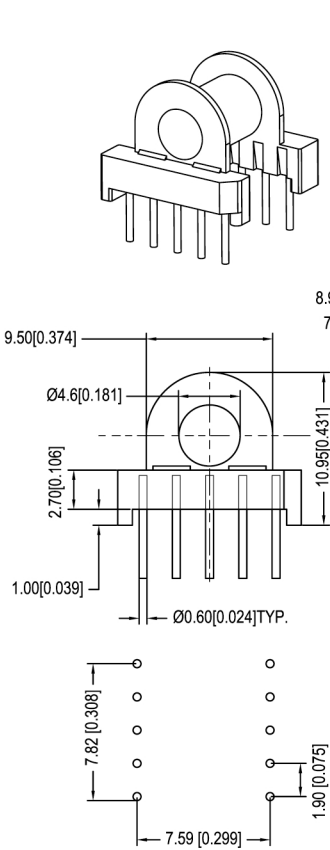


Core cross reference (x = material variation within a size)

Fair-Rite: 65XX 131 321	Micrometals:	Magnetics: XX-41313-JG
Nicera: FEP-13	Epcos: B65843	MMG: 32-800-XX
Ferroxcube: EP13-XXX-XXXX	TDK: XXXEP13-Z	

Winding Area
(mm²)
13.8

LODESTONE PACIFIC
B-EP13-10-1-PH2



© 2006

	Scale	Tolerance (Inches)	Tolerance (mm)	No. of Terminals	Terminal Plating	Terminal Material	Terminal Type
	None	.XXX ± .008 .XX ± .012	.XX ± 0.20 .X ± 0.30	10	100% Tin	CP WIRE	Through Hole

LODESTONE PACIFIC



Phone: (714)970-0900. Fax: (714)970-0800
4769 Wesley Drive, Anaheim, California, 92807, USA
Web: www.lodestonepacific.com E-Mail: sales@lodestonepacific.com

Molding Material	UL File No.	Rating	Class
Phenolic	E41429	UL94-VO	N
Lodestone's Part Number			Rev.
B-EP13-10-1-PH2			1