

Core cross reference (x = material variation within a size)

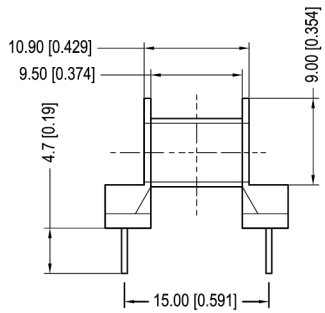
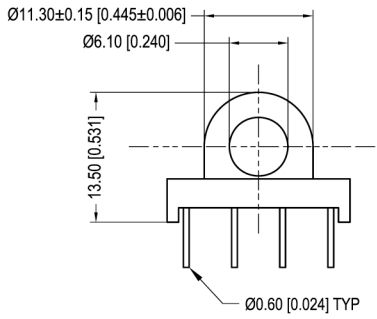
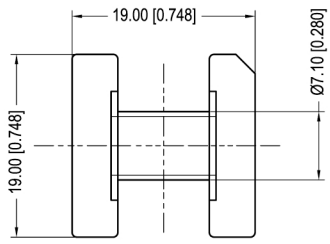
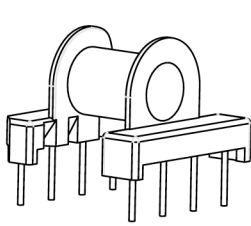
Fair-Rite: 65XX171721	Micrometals: None	Magnetics: XX-41717-JG
Nicera: FEP-17	Epcos: B65845	MMG: 32-800-XX
Ferroxcube: EP17-XXX-XXXX	TDK: XXXEP17-Z	

Winding Area
(mm²)
18.8

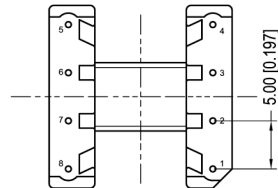
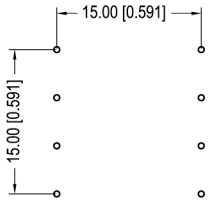
LODESTONE PACIFIC
B-EP17-8-1-PH



TOP



BOTTOM



© 2006

	Scale	Tolerance (Inches)	Tolerance (mm)	No. of Terminals	Terminal Plating	Terminal Material	Terminal Type	
	None	.XXX ± .008 .XX ± .012	.XX ± 0.20 .X ± 0.30	8	100% Tin	CP WIRE	Through Hole	
<p style="text-align: center;">LODESTONE PACIFIC</p> <p>Phone: (714)970-0900. Fax: (714)970-0800 4769 Wesley Drive, Anaheim, California, 92807, USA Web: www.lodestonepacific.com E-Mail: sales@lodestonepacific.com</p>					Molding Material	UL File No.	Rating	Class
					Phenolic	E41429	UL94-VO	N
Lodestone's Part Number							Rev.	
B-EP17-8-1-PH							1	