

Core cross reference (x = material variation within a size)

Winding Area  
(mm<sup>2</sup>)

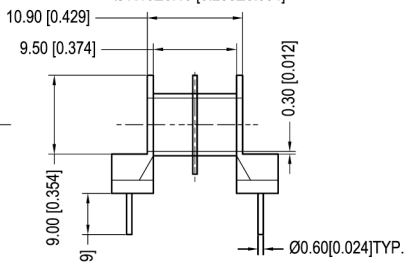
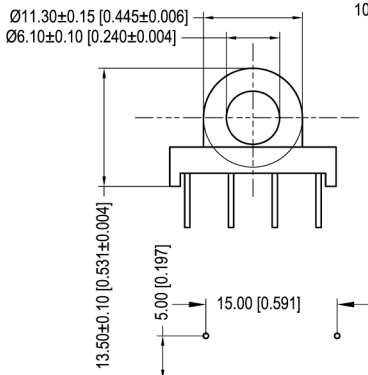
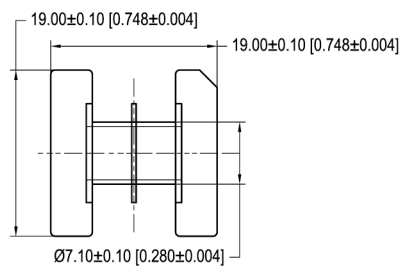
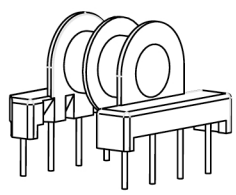
LODESTONE PACIFIC

Fair-Rite: 65XX171721	Micrometals: None	Magnetics: XX-41717-UG
Nicera: FEP-17	Epcos: B65845	MMG: 32-800-XX
Ferroxcube: EP17-XXX-XXXX	TDK: XXXEP17-Z	

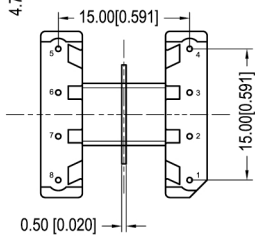
**B-EP17-8-2-PH**



**TOP**



**BOTTOM**



© 2006

	Scale	Tolerance (Inches)	Tolerance (mm)	No. of Terminals	Terminal Plating	Terminal Material	Terminal Type	
	None	.XXX ± .008 .XX ± .012	.XX ± 0.20 .X ± 0.30	8	100% Tin	CP WIRE	Through Hole	
<b>LODESTONE PACIFIC</b>					Molding Material	UL File No.	Rating	Class
					Phenolic	E41429	UL94-VO	N
Lodestone's Part Number							Rev.	
<b>B-EP17-8-2-PH</b>							<b>1</b>	

Phone: (714)970-0900. Fax: (714)970-0800  
 4769 Wesley Drive, Anaheim, California, 92807, USA  
 Web: www.lodestonepacific.com E-Mail: sales@lodestonepacific.com