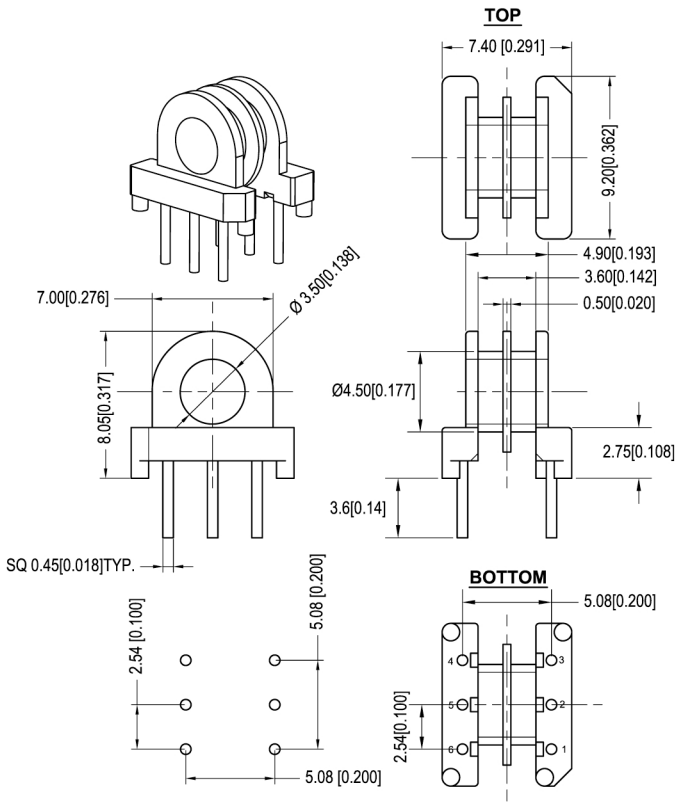


Core cross reference (x = material variation within a size)

Fair-Rite: 65XX070721	Micrometals:	Magnetics: XX-40707-JG
Nicera: FEP-7	Epcos: B65839	MMG: 32-810-XX
Ferroxcube: EP7-XXX-XXXX	TDK: XXXEP7-Z	

Winding Area
(mm²)
2 x 1.75

LODESTONE PACIFIC
B-EP7-6-2-PH2



© 2006

	Scale	Tolerance (Inches)	Tolerance (mm)	No. of Terminals	Terminal Plating	Terminal Material	Terminal Type
	None	.XXX ± .008 .XX ± .012	.XX ± 0.20 .X ± 0.30	6	100% Tin	CP WIRE	Through Hole
<p style="text-align: center;">LODESTONE PACIFIC</p>		Molding Material	UL File No.	Rating	Class		
		Phenolic	E41429	UL94-VO	N		
Lodestone's Part Number							Rev.
B-EP7-6-2-PH2							1

Phone: (714)970-0900. Fax: (714)970-0800
 4769 Wesley Drive, Anaheim, California, 92807, USA
 Web: www.lodestonepacific.com E-Mail: sales@lodestonepacific.com