

Core cross reference (x = material variation within a size)

Winding Area
(mm²)

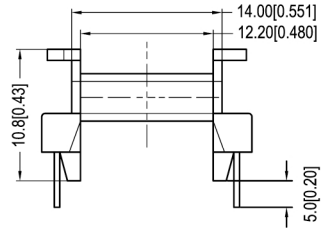
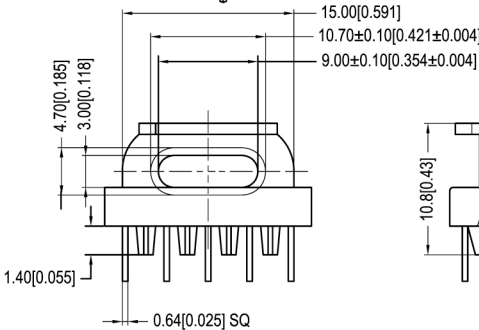
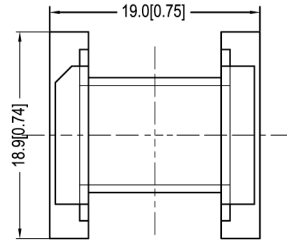
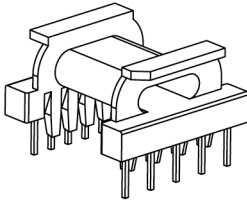
LODESTONE PACIFIC

Fair-Rite:	Micrometals:	Magnetics:
Nicera: FEET-19D	Epcos:	MMG:
Ferroxcube:	TDK: PC40EPC13-2	

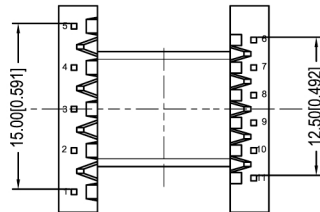
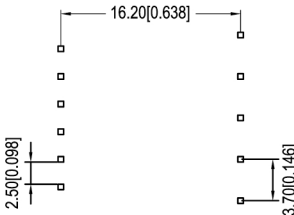
B-EPC19-11-1-PH2



TOP



BOTTOM



© 2006



Scale	Tolerance (Inches)	Tolerance (mm)	No. of Terminals	Terminal Plating	Terminal Material	Terminal Type
None	.XXX ± .008 .XX ± .012	.XX ± 0.20 .X ± 0.30	11	100% Tin	CP WIRE	Through Hole

LODESTONE PACIFIC

Phone:(714)970-0900.Fax:(714)970-0800
4769 Wesley Drive,Anaheim,California,92807,USA
Web:www.lodestonepacific.com E-Mail:sales@lodestonepacific.com

Molding Material	UL File No.	Rating	Class
Phenolic	E41429	UL94-VO	N
Lodestone's Part Number			Rev.
B-EPC19-11-1-PH2			1