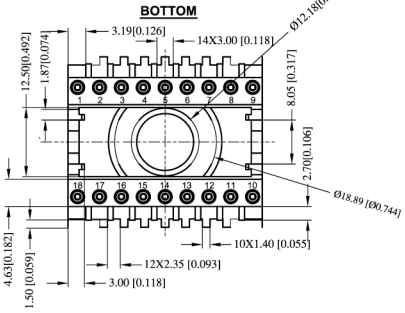
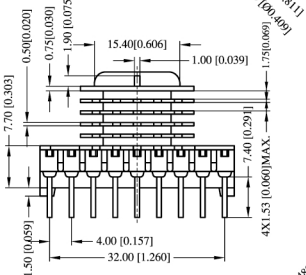
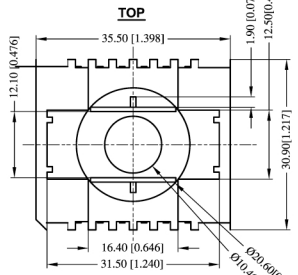
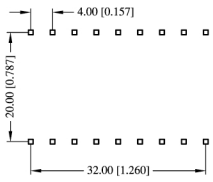
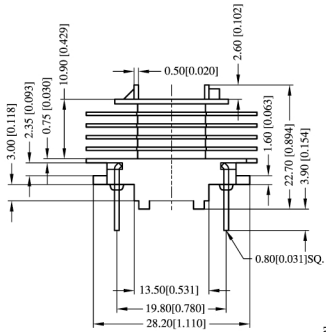
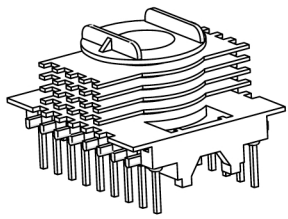


Core cross reference (x = material variation within a size)

Fair-Rite:	Micrometals:	Magnetics:
Nicera:	Epcos:	MMG:
Ferroxcube:	TDK:	

Winding Area
(mm²)

LODESTONE PACIFIC
B-ER28.5V-18-5-PET



© 2006

	Scale	Tolerance (Inches)	Tolerance (mm)	No. of Terminals	Terminal Plating	Terminal Material	Terminal Type	
	None	.XXX ± .008 .XX ± .012	.XX ± 0.20 .X ± 0.30	18	100% Tin	BRASS	Through Hole	
					Molding Material	UL File No.	Rating	Class
					PET FR530	E69578(M)	UL94-V0	N
Lodestone's Part Number							Rev.	
B-ER28.5V-18-5-PET							1	

Phone: (714) 970-0900. Fax: (714) 970-0800
 4769 Wesley Drive, Anaheim, California, 92807, USA
 Web: www.lodestonepacific.com E-Mail: sales@lodestonepacific.com