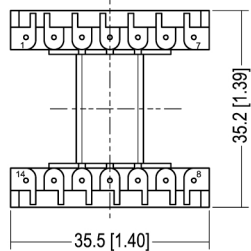
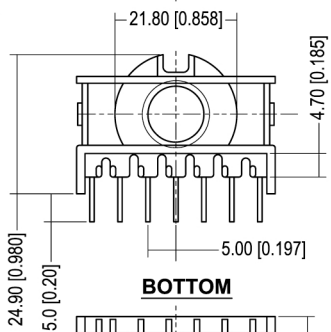
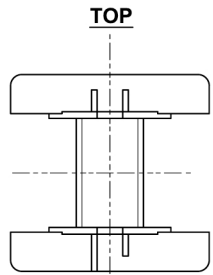
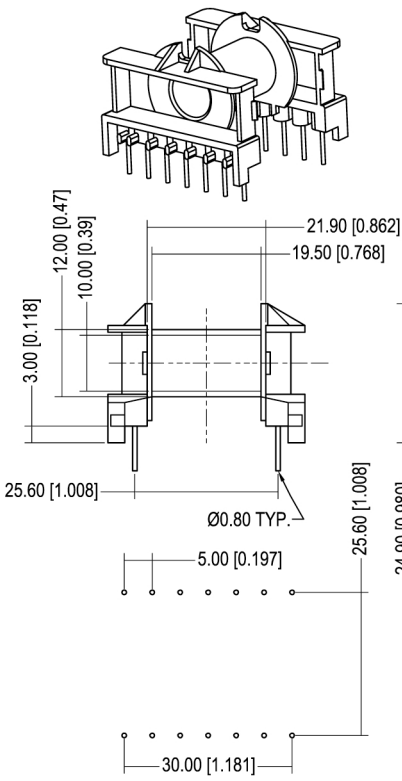


Core cross section (x = material variation within a size)

Fair-Rite:None	Micrometals: None	Magnetics: None
Nicera: None	Epcos: B66358	MMG: 32-58X-XX
Ferroxcube:ETD29-XXXX-XXXX	TDK: None	

Winding Area
(mm²)

LODESTONE PACIFIC
B-ETD29H-14-1-PH3



© 2006

	Scale	Tolerance (Inches)	Tolerance (mm)	No. of Terminals	Terminal Plating	Terminal Material	Terminal Type	
	None	.XXX ±.008 .XX ±.012	.XX ±0.20 .X ± 0.30	14	100% Tin	CP WIRE	Through Hole	
<p align="center">LODESTONE PACIFIC</p>					Molding Material	UL File No.	Rating	Class
					PHENOLIC	E59481	UL94-VO	F
Lodestone's Part Number								Rev.
B-ETD29H-14-1-PH3								1

Phone:(714)970-0900.Fax:(714)970-0800
4769 Wesley Drive.Anahem,California,92807.USA
Web:www.lodestonepacific.com E-Mail:sales@lodestonepacific.com