

Core cross reference (x = material variation within a size)

Fair-Rite: 95**34000	Micrometals: None	Magnetics: *-43434-EC
Nicera: None	Epcos: B66361	MMG: 32-50-***
Ferroxcube: ETD34-****.****	TDK: ETD34-Z	

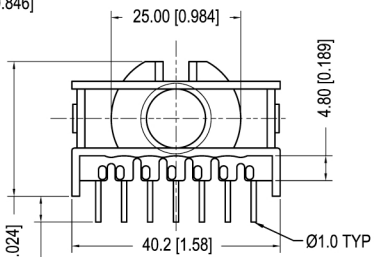
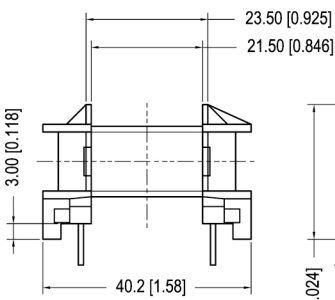
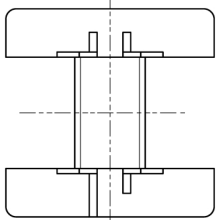
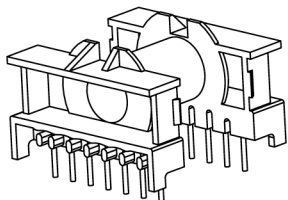
Winding Area  
(mm<sup>2</sup>)

LODESTONE PACIFIC

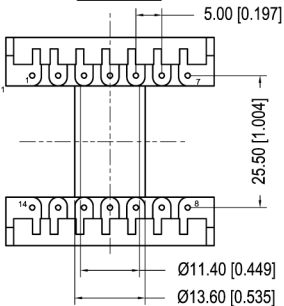
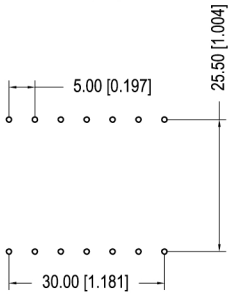
**B-ETD34H-14-1-PH3**



**TOP**



**BOTTOM**



© 2006

	Scale	Tolerance (Inches)	Tolerance (mm)	No. of Terminals	Terminal Plating	Terminal Material	Terminal Type	
	None	.XXX ±.008 .XX ±.012	.XX ±0.20 .X ±0.30	14	100% Tin	CP WIRE	Through Hole	
<p style="text-align: center;"><b>LODESTONE PACIFIC</b></p> <p>Phone: (714)970-0900, Fax: (714)970-0800 4769 Wesley Drive, Anaheim, California, 92807, USA Web: www.lodestonepacific.com E-Mail: sales@lodestonepacific.com</p>					Molding Material	UL File No.	Rating	Class
					PHENOLIC	E59481	UL94-VO	F
Lodestone's Part Number							Rev.	
<b>B-ETD34H-14-1-PH3</b>							<b>1</b>	