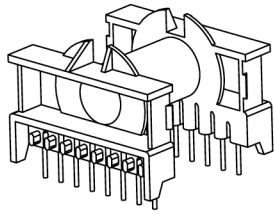


Core reference (x = material variation within a size)

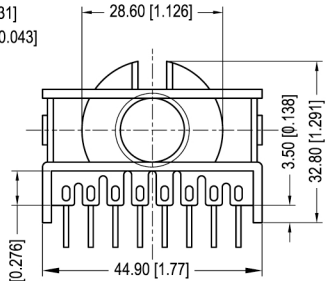
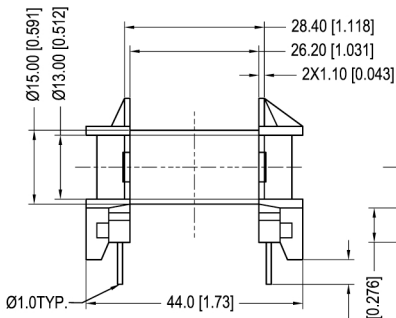
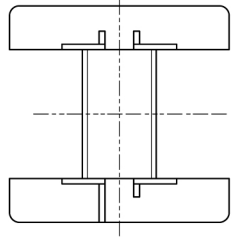
Fair-Rite: 95**39000	Micrometals: None	Magnetics: *-43939-EC
Nicera: None	Epcos: B66363	MMG: 32-52**-**
Ferroxcube: ETD39-****.****	TDK: ETD39-Z	

Winding Area
(mm²)

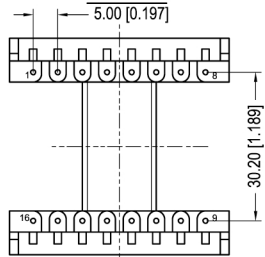
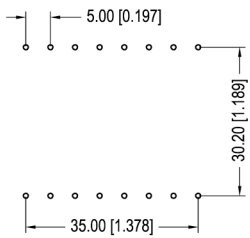
LODESTONE PACIFIC
B-ETD39H-16-1-PH3



TOP



BOTTOM



© 2006

	Scale	Tolerance (Inches)	Tolerance (mm)	No. of Terminals	Terminal Plating	Terminal Material	Terminal Type	
	None	.XXX ± .008 .XX ± .012	.XX ± 0.20 .X ± 0.30	16	100% Tin	CP WIRE	Through Hole	
<p style="text-align: center;">LODESTONE PACIFIC</p> <p>Phone: (714)970-0900. Fax: (714)970-0800 4769 Wesley Drive, Anaheim, California, 92807, USA Web: www.lodestonepacific.com E-Mail: sales@lodestonepacific.com</p>					Molding Material	UL File No.	Rating	Class
					PHENOLIC	E59481	UL94-VO	F
Lodestone's Part Number							Rev.	
B-ETD39H-16-1-PH3							1	