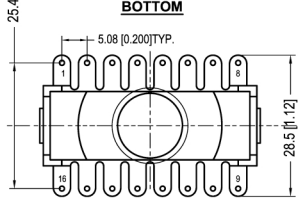
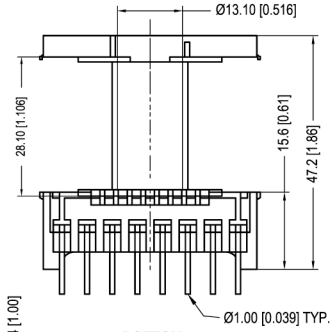
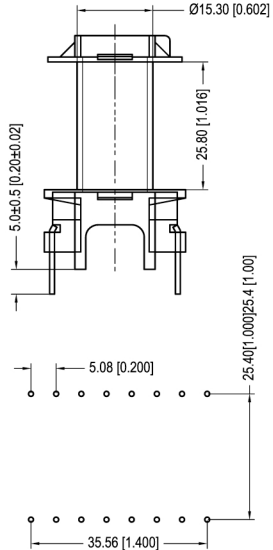
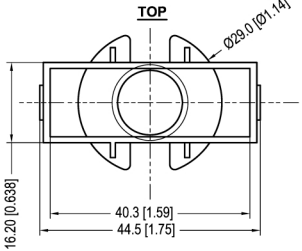
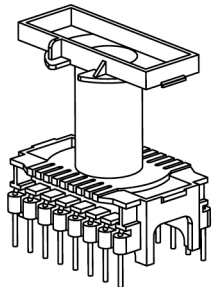


Core cross reference (x = material variation within a size)

Fair-Rite: 95XX39000	Micrometals: None	Magnetics: X-43939-EC
Nicera: None	Epcos: B66363	MMG: 32-52X-XX
Ferroxcube: ETD39-XXXX-XXXX	TDK: ETD39-Z	

Winding Area (mm²)

LODESTONE PACIFIC
B-ETD39V-16-1-PET



© 2006

	Scale	Tolerance (Inches)	Tolerance (mm)	No. of Terminals	Terminal Plating	Terminal Material	Terminal Type	
	None	.XXX ±.008 .XX ±.012	XX ±0.20 X ±0.30	16	100% Tin	CP WIRE	Through Hole	
<p style="text-align: center;">LODESTONE PACIFIC</p> <p>Phone: (714)970-0900. Fax: (714)970-0800 4769 Wesley Drive, Anaheim, California, 92807, USA Web: www.lodestonepacific.com E-Mail: sales@lodestonepacific.com</p>					Molding Material	UL File No.	Rating	Class
					PET	E41938	UL94-VO	N
Lodestone's Part Number							Rev.	
B-ETD39V-16-1-PET							1	