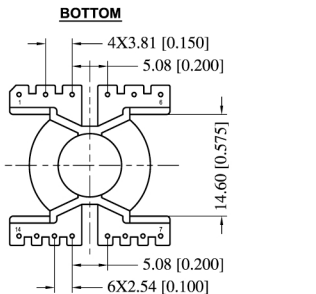
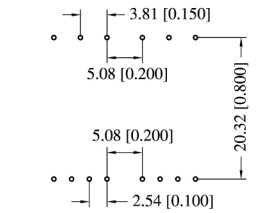
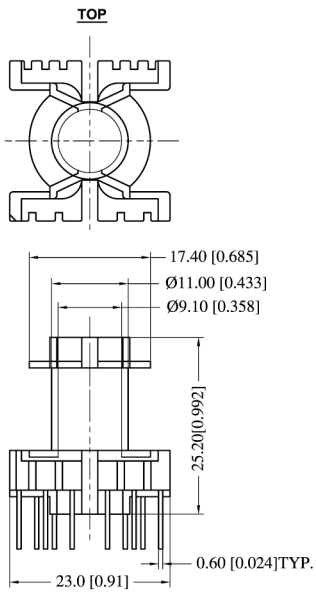
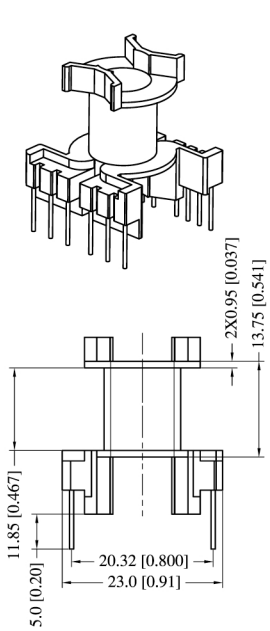


Core cross reference (x = material variation within a size)

Fair-Rite: 66XX202021	Micrometals: None	Magnetics: X-42020-UG
Nicera: None	Epcos: None	MMG: None
Ferroxcube: PQ20/20-XXXX-XXX	TDK: PCXXPQ20/20Z-12	

Winding Area (mm²)

LODESTONE PACIFIC
B-PQ2020V-14-1-PH3



© 2006

	Scale	Tolerance (Inches)	Tolerance (mm)	No. of Terminals	Terminal Plating	Terminal Material	Terminal Type		
	None	.XXX ±.008 .XX ±.012	.XX ±0.20 .X ±0.30	14	100% Tin	CP WIRE	Through Hole		
						Molding Material	UL File No.	Rating	Class
						PHENOLIC	E59481	UL94-V0	F
Lodestone's Part Number								Rev.	
B-PQ2020V-14-1-PH3								1	

Phone:(714)970-0900.Fax:(714)970-0800
4769 Wesley Drive,Anaheim,California,92807,USA
Web:www.lodestonepacific.com E-Mail:sales@lodestonepacific.com