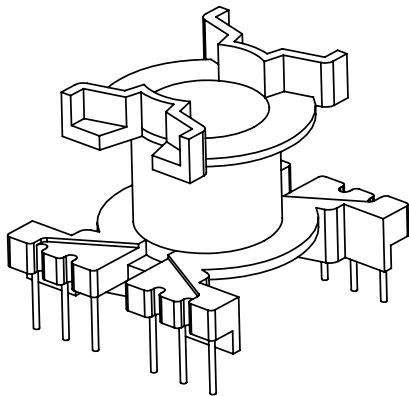


Core cross reference (x = material variation within a size)

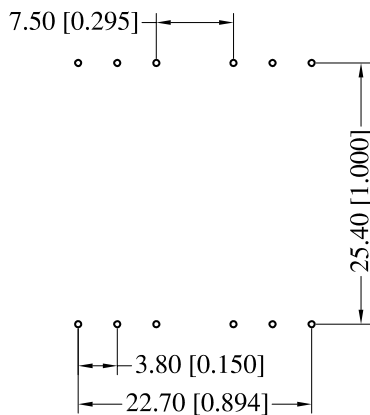
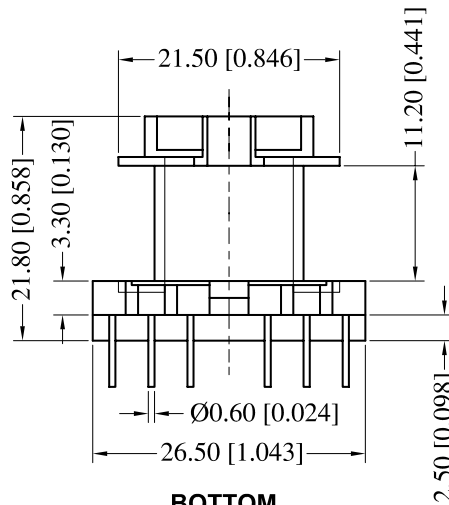
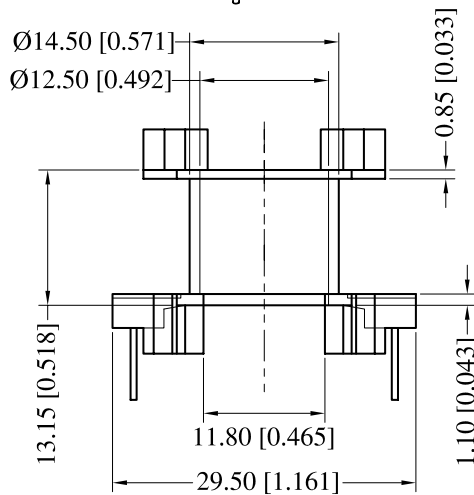
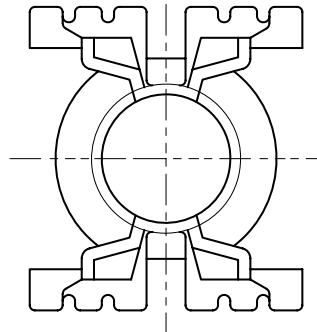
Fair-Rite: 66XX262521	Micrometals:	Magnetics: XX-42625-UG
Nicera:	Epcos:	MMG:
Ferroxcube: PQ 26/25	TDK:	Phillips: PQ 26/25

Winding Area
(mm²)

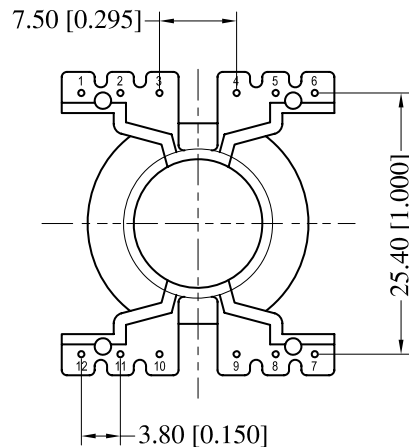
LODESTONE PACIFIC
B-PQ2625V-12-1-PH3



TOP



BOTTOM



© 2006

	Scale	Tolerance (Inches)	Tolerance (mm)	No. of Terminals	Terminal Plating	Terminal Material	Terminal Type	
	None	.XXX ± .008 .XX ± .012	.XX ± 0.20 .X ± 0.30	12	100% Tin	CP Wire	Through Hole	
<p style="text-align: center;">LODESTONE PACIFIC</p> <p>Phone: (714)970-0900. Fax: (714)970-0800 4769 Wesley Drive, Anaheim, California, 92807, USA Web: www.lodestonepacific.com E-Mail: sales@lodestonepacific.com</p>					Molding Material	UL File No.	Rating	Class
					Phenolic	E59481	UL94-VO	F
					Lodestone's Part Number			Rev.
				B-PQ2625V-12-1-PH3			1	