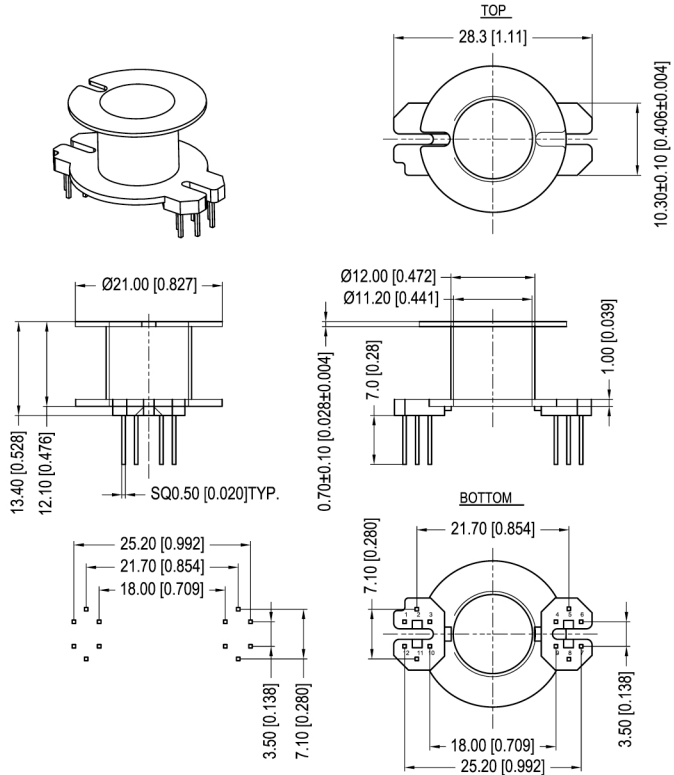


Core cross reference (x = material variation within a size)

Fair-Rite:	Micrometals:	Magnetics: NX-42819-JG
Nicera: FRM-10	Epcos: B65813	MMG: 29-83XX-XX
Ferroxcube: RM10-XXX-XXXX	TDK: XXXXRM10Z-XX	

Winding Area
(mm²)
4.27

LODESTONE PACIFIC
B-RM10-12-1-PH2



© 2006

	Scale	Tolerance (Inches)	Tolerance (mm)	No. of Terminals	Terminal Plating	Terminal Material	Terminal Type
	None	.XXX ± .008 .XX ± .012	.XX ± 0.20 .X ± 0.30	12	100% Tin	CP WIRE	Through Hole

LODESTONE PACIFIC



Phone:(714)970-0900.Fax:(714)970-0800
4769 Wesley Drive,Anaheim,California,92807,USA
Web:www.lodestonepacific.com E-Mail:sales@lodestonepacific.com

Molding Material	UL File No.	Rating	Class
Phenolic	E41429	UL94-VO	N
Lodestone's Part Number			Rev.
B-RM10-12-1-PH2			1