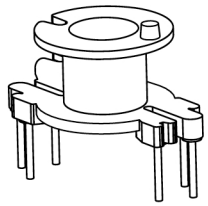


Core cross reference (x = material variation within a size)

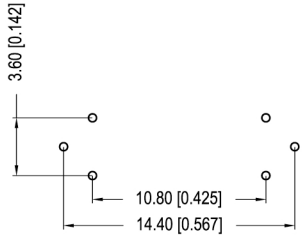
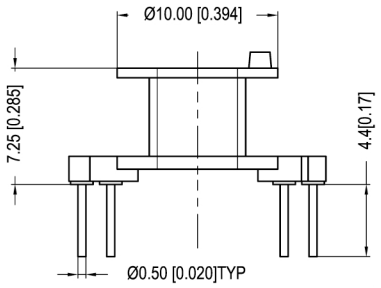
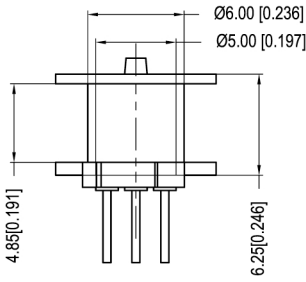
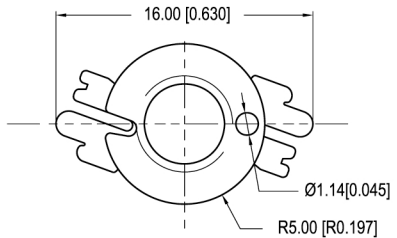
Fair-Rite: None	Micrometals: None	Magnetics: NX-41510-UG
Nicera: FRM-5	Epcos: B65805	MMG: 29-7XX-XX
Ferroxcube: RM5-XXX-XXXX	TDK: XXXXRM5Z-XX	

Winding Area (mm<sup>2</sup>)  
9.2

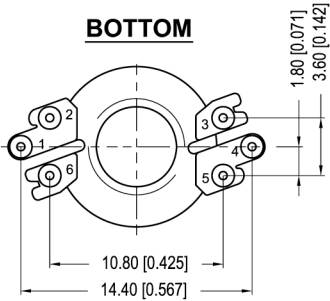
LODESTONE PACIFIC  
**B-RM5-6-1-PH**



**TOP**



**BOTTOM**



© 2006

	Scale	Tolerance (Inches)	Tolerance (mm)	No. of Terminals	Terminal Plating	Terminal Material	Terminal Type	
	None	.XXX ± .008 .XX ± .012	.XX ± 0.20 .X ± 0.30	6	100% Tin	CP WIRE	Through Hole	
<p style="text-align: center;"><b>LODESTONE PACIFIC</b></p> <p>4769 Wesley Drive, Anaheim, California, 92807, USA                  Phone: (714)970-0900, Fax: (714)970-0800                  Web: www.lodestonepacific.com E-Mail: sales@lodestonepacific.com</p>					Molding Material	UL File No.	Rating	Class
					Phenolic	E41429	UL94-VO	N
<p style="text-align: center;">LoDestone's Part Number</p> <p style="text-align: center;"><b>B-RM5-6-1-PH</b></p>							Rev.	
							<b>1</b>	