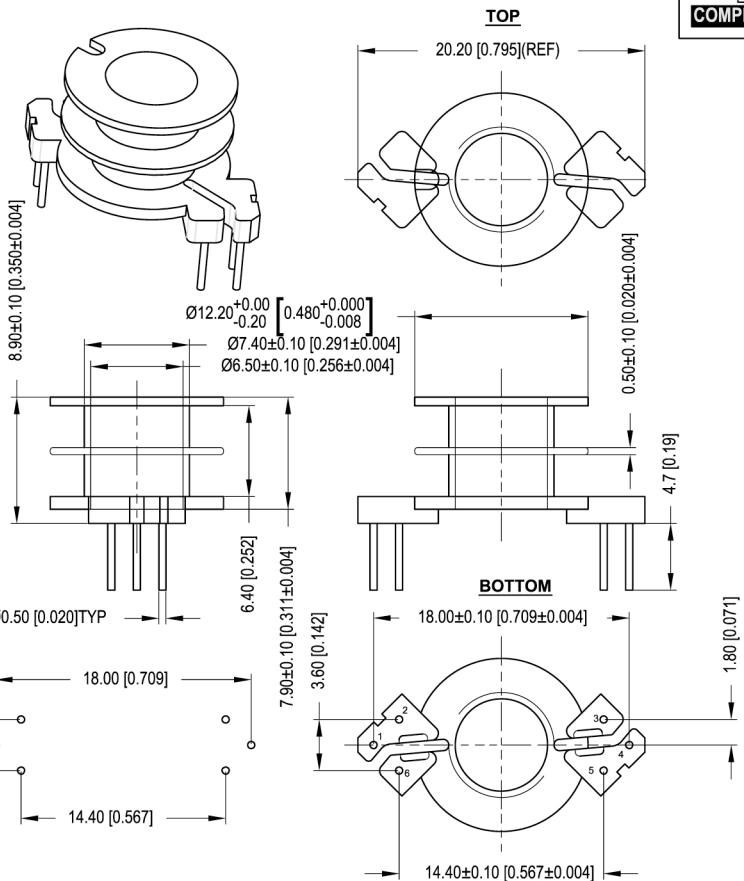


Core cross reference (x = material variation within a size)

Fair-Rite: None	Micrometals: None	Magnetics: NX-41812-UG
Nicera: FRM-6	Epcos: B65807	MMG: 29-730X-XX
Ferroxcube: RM6S-XXX-XXXX	TDK: XXXXRM6Z-XX	

Winding Area (mm²)
2X7

LODESTONE PACIFIC
B-RM6-6-2-PH



© 2006

	Scale	Tolerance (Inches)	Tolerance (mm)	No. of Terminals	Terminal Plating	Terminal Material	Terminal Type	
	None	.XXX ± .008 .XX ± .012	.XX ± 0.20 .X ± 0.30	6	100% Tin	CP Wire	Through Hole	
<p style="text-align: center;">LODESTONE PACIFIC</p>					Molding Material	UL File No.	Rating	Class
					Phenolic	E41429	UL94-V0	N
Lodestone's Part Number							Rev.	
B-RM6-6-2-PH							1	

Phone: (714)970-0900. Fax: (714)970-0800
4769 Wesley Drive, Anaheim, California, 92807, USA
Web: www.lodestonepacific.com E-Mail: sales@lodestonepacific.com