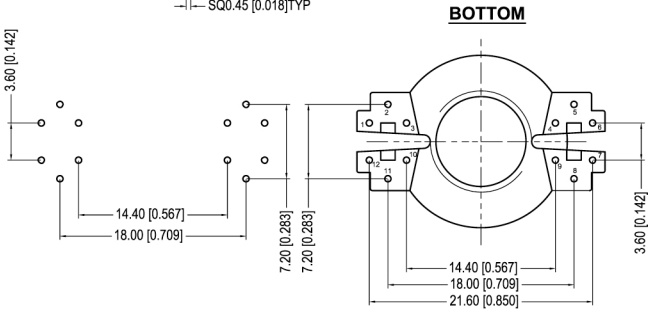
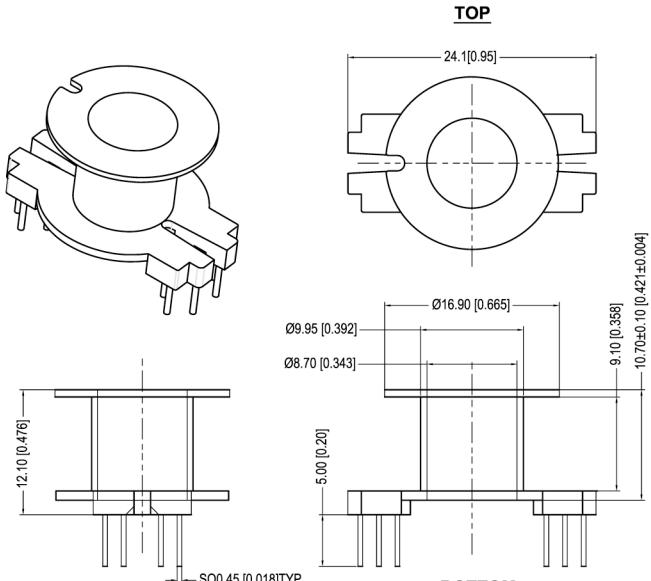


Core cross reference (x = material variation within a size)

Fair-Rite: None	Micrometals: None	Magnetics: NX-42316-UG
Nicera: FRM-8	Epcos: B65811	MMG: 29-790X-XX
Ferroxcube: RM8-XXX-XXXX	TDK: XXXXRM8Z-XX	

Winding Area (mm²)
30

LODESTONE PACIFIC
B-RM8-12-1-PH2



© 2006

	Scale	Tolerance (Inches)	Tolerance (mm)	No. of Terminals	Terminal Plating	Terminal Material	Terminal Type	
	None	.XXX ± .008 .XX ± 0.12	.XX ± 0.20 .X ± 0.30	12	100% Tin	CP WIRE	Through Hole	
<p style="text-align: center;">LODESTONE PACIFIC</p>					Molding Material	UL File No.	Rating	Class
					Phenolic	E41429	UL94-VO	N
Phone: (714)970-0900. Fax: (714)970-0800 4769 Wesley Drive, Anaheim, California, 92807, USA Web: www.lodestonepacific.com E-Mail: sales@lodestonepacific.com							Lodestone's Part Number	Rev.
B-RM8-12-1-PH2								1