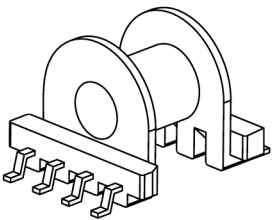


Core cross reference (x = material variation within a size)

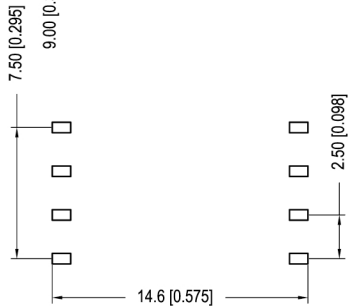
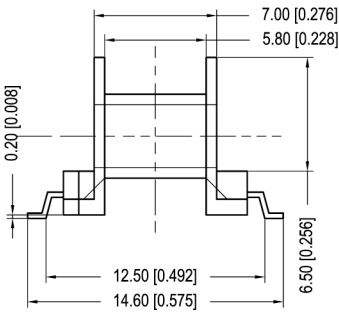
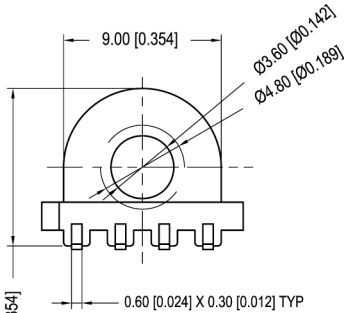
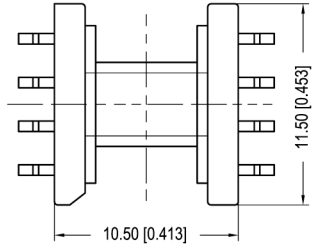
Fair-Rite: 65XX101021	Micrometals: None	Magnetics: XX-41010-JG
Nicera: FEP-10	Epcos: B65841	MMG: 32-820-XX
Ferroxcube: EP10-XXX-XXXX	TDK: XXXEP10-Z	

Winding Area
(mm²)
12

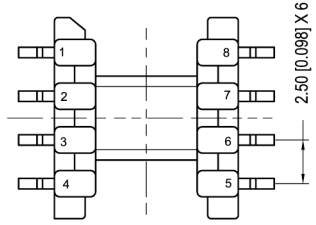
LODESTONE PACIFIC
SMB-EP10-8-1-LCP



TOP



BOTTOM



© 2006

	Scale	Tolerance (Inches)	Tolerance (mm)	No. of Terminals	Terminal Plating	Terminal Material	Terminal Type	
	None	.XXX ± .008 .XX ± .012	.XX ± 0.20 .X ± 0.30	8	100% Tin	CP WIRE	Surface Mount	
<p style="text-align: center;">LODESTONE PACIFIC</p>					Molding Material	UL File No.	Rating	Class
					LCP	E54705	UL94-VO	F
Lodestone's Part Number							Rev.	
SMB-EP10-8-1-LCP							1	

Phone: (714)970-0900. Fax: (714)970-0800
4769 Wesley Drive, Anaheim, California, 92807, USA
Web: www.lodestonepacific.com E-Mail: sales@lodestonepacific.com