

Core reference (x = material variation within a size)

Winding Area (mm<sup>2</sup>)

LODESTONE PACIFIC

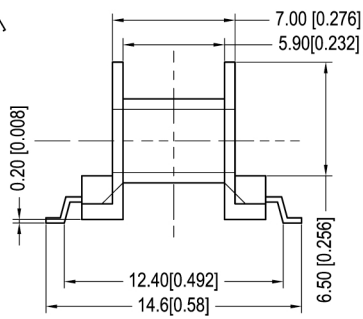
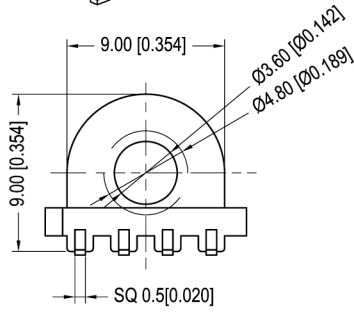
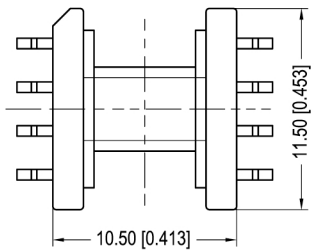
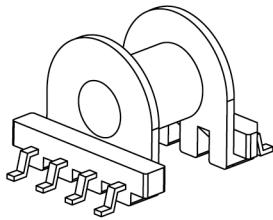
Fair-Rite: 65XX101021	Micrometals: None	Magnetics: XX-41010-JG
Nicera: FEP-10	Epcos: B65841	MMG: 32-820-XX
Ferroxcube: EP10-XXX-XXXX	TDK: XXXEP10-Z	

12

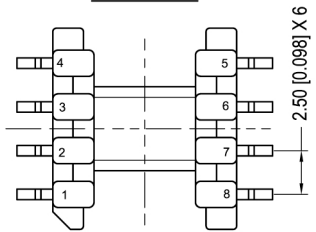
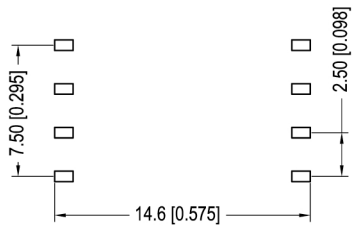
**SMB-EP10-8-1-PH**



**TOP**



**BOTTOM**



© 2006

	Scale	Tolerance (Inches)	Tolerance (mm)	No. of Terminals	Terminal Plating	Terminal Material	Terminal Type
	None	.XXX ± .008 .XX ± .012	.XX ± 0.20 .X ± 0.30	8	100% Tin	CP WIRE	Surface Mount

**LODESTONE PACIFIC**



Phone:(714)970-0900.Fax:(714)970-0800  
4769 Wesley Drive,Anaheim,California,92807,USA  
Web:www.lodestonepacific.com E-Mail:sales@lodestonepacific.com

Molding Material	UL File No.	Rating	Class
Phenolic	E41429	UL94-VO	N
Lodestone's Part Number			Rev.
<b>SMB-EP10-8-1-PH</b>			<b>1</b>