

Core cross reference (x = material variation within a size)

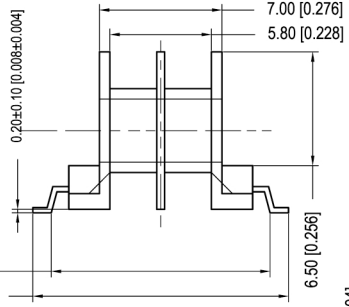
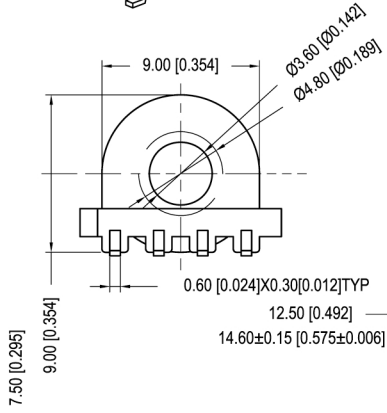
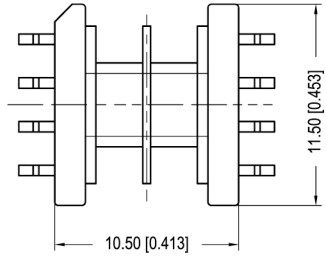
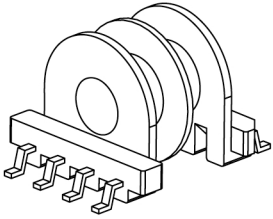
Fair-Rite: 65XX101021	Micrometals: None	Magnetics: XX-41010-UG
Nicera: FEP-10	Epcos: B65841	MMG: 32-820-XX
Ferroxcube: EP10-XXX-XXXX	TDK: XXXEP10-Z	

Winding Area
(mm²)

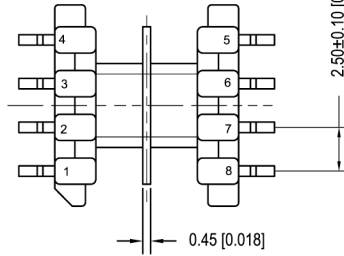
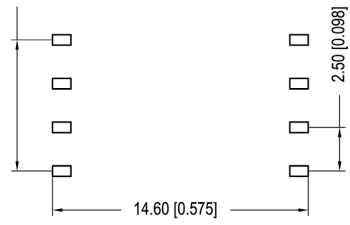
LODESTONE PACIFIC
SMB-EP10-8-2-LCP



TOP



BOTTOM



© 2006

	Scale	Tolerance (Inches)	Tolerance (mm)	No. of Terminals	Terminal Plating	Terminal Material	Terminal Type	
	None	.XXX ± .008 .XX ± .012	.XX ± 0.20 .X ± 0.30	8	100% Tin	Phosphor Bronze	Surface Mount	
LODESTONE PACIFIC					Molding Material	UL File No.	Rating	Class
					LCP	E54705	UL94-VO	F
					Lodestone's Part Number		Rev.	
					SMB-EP10-8-2-LCP		1	

Phone: (714)970-0900. Fax: (714)970-0800
4769 Wesley Drive, Anaheim, California, 92807, USA
Web: www.lodestonepacific.com E-Mail: sales@lodestonepacific.com