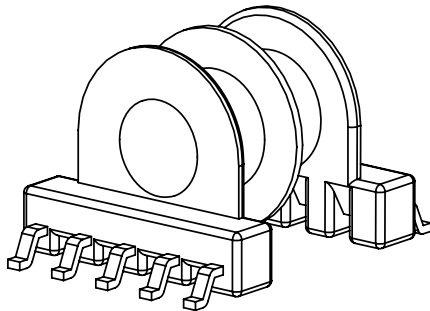


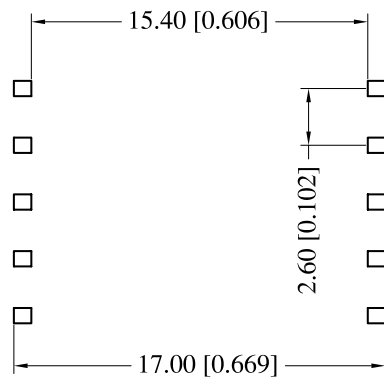
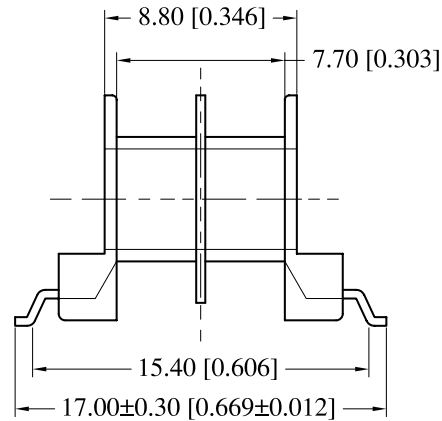
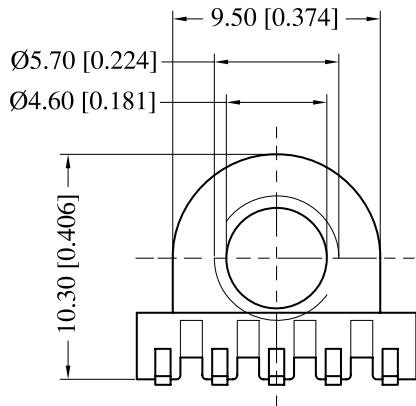
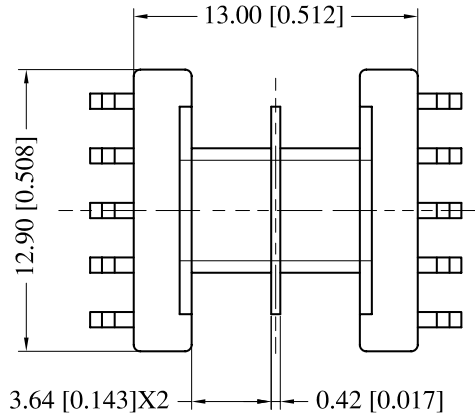
Core cross reference (x = material variation within a size)

Fair-Rite: 65XX131321	Micrometals: None	Magnetics: XX-41313-UG
Nicera: FEP-13	Epcos: None	MMG: 32-800-XX
Ferroxcube: EP13-XXX-XXXX	TDK: XXXEP13-2	Siemens: B65843

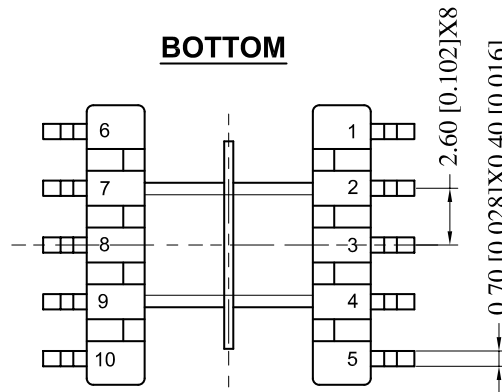
Winding Area (mm ²)	LODESTONE PACIFIC
	SMB-EP13-10-2-PH



TOP



BOTTOM



© 2006

	Scale	Tolerance (Inches)	Tolerance (mm)	No. of Terminals	Terminal Plating	Terminal Material	Terminal Type	
	None	.XXX ± .008 .XX ± .012	.XX ± 0.20 .X ± 0.30	10	100% Tin	PHOSPHOR BRONZE	Surface Mount	
<p style="text-align: center;">LODESTONE PACIFIC</p> <p>Phone: (714) 970-0900, Fax: (714) 970-0800 4769 Wesley Drive, Anaheim, California, 92807, USA Web: www.lodestonepacific.com E-Mail: sales@lodestonepacific.com</p>					Molding Material	UL File No.	Rating	Class
					PHENOLIC	E41429	UL94-VO	N
Lodestone's Part Number								Rev.
SMB-EP13-10-2-PH								1