

Core cross reference (x = material variation within a size)

LODESTONE PACIFIC

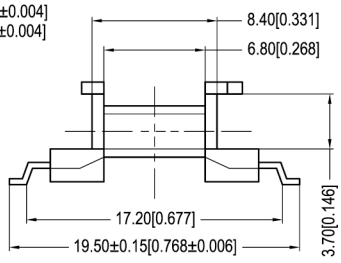
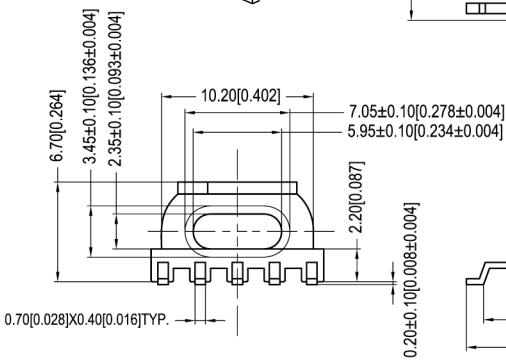
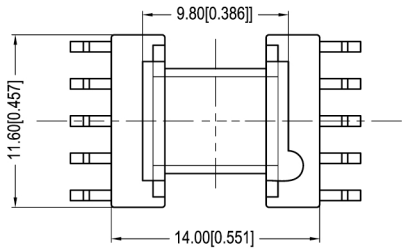
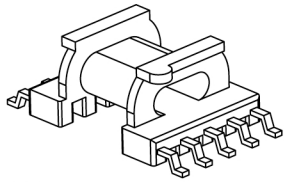
Fair-Rite:	Micrometals:	Magnetics:
Nicera: FEET-13E	Epcos:	MMG:
Ferroxcube:	TDK: PC40EPC13-2	

Winding Area
(mm²)

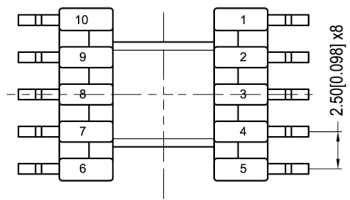
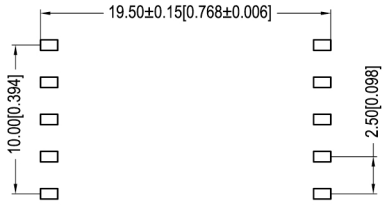
SMB-EPC13-10-1-LCP



TOP



BOTTOM



© 2006

	Scale	Tolerance (Inches)	Tolerance (mm)	No. of Terminals	Terminal Plating	Terminal Material	Terminal Type	
	None	.XXX ± .008 .XX ± .012	.XX ± 0.20 .X ± 0.30	10	100% Tin	Phosphor Bronze	Surface Mount	
<p style="text-align: center;">LODESTONE PACIFIC</p>					Molding Material	UL File No.	Rating	Class
					LCP	E 54705	UL94-VO	F
Lodestone's Part Number								Rev.
SMB-EPC13-10-1-LCP								1

Phone: (714) 970-0900 Fax: (714) 970-0800
 4769 Wesley Drive, Anaheim, California, 92807, USA
 Web: www.lodestonepacific.com E-Mail: sales@lodestonepacific.com