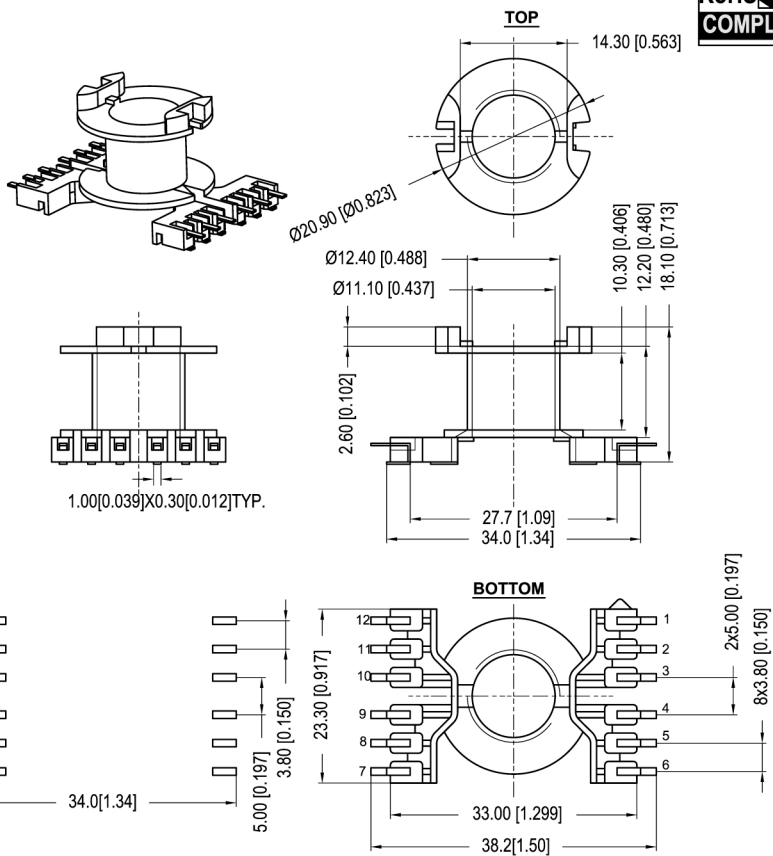


Core cross reference (x = material variation within a size)

Fair-Rite: None	Micrometals: None	Magnetics: NX-42819-UG
Nicera: FRM-10	Epcos: B65813	MMG: 29-83XX-XX
Ferroxcube: RM10-XXX-XXXX	TDK: XXXXRM10Z-XX	

Winding Area
(mm²)
427

LODESTONE PACIFIC
SMB-RM10-12-1-PET-C



© 2006

	Scale	Tolerance (Inches)	Tolerance (mm)	No. of Terminals	Terminal Plating	Terminal Material	Terminal Type	
	None	.XXX ± .008 .XX ± .012	.XX ± 0.20 X ± 0.30	12	100% Tin	Phosphor Bronze	C Type	
<p style="text-align: center;">LODESTONE PACIFIC</p>					Molding Material	UL File No.	Rating	Class
					PET	E41938	UL94-VO	N
Lodestone's Part Number							Rev.	
SMB-RM10-12-1-PET-C							1	

Phone:(714)970-0900.Fax:(714)970-0800
4769 Wesley Drive,Anaheim,California,92807.USA
Web:www.lodestonepacific.com E-Mail:sales@lodestonepacific.com