

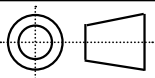
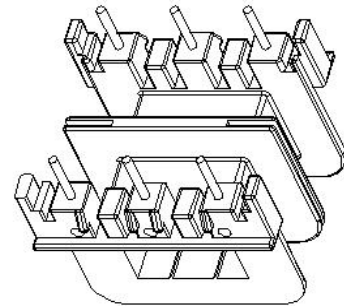
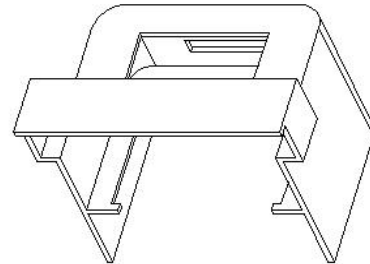
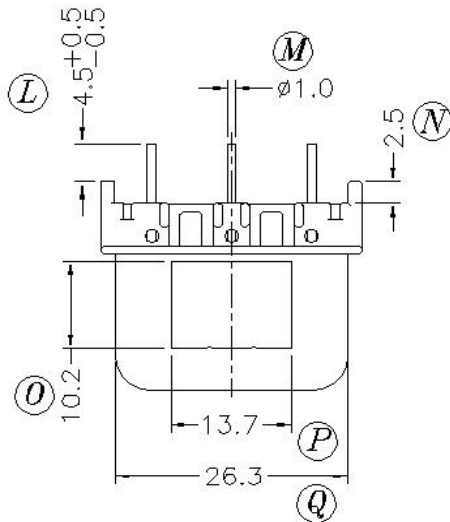
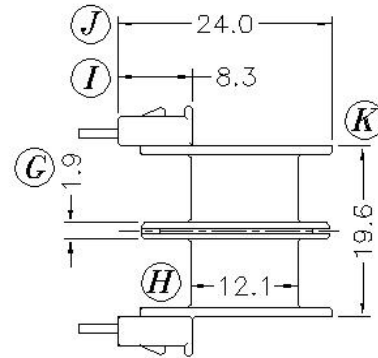
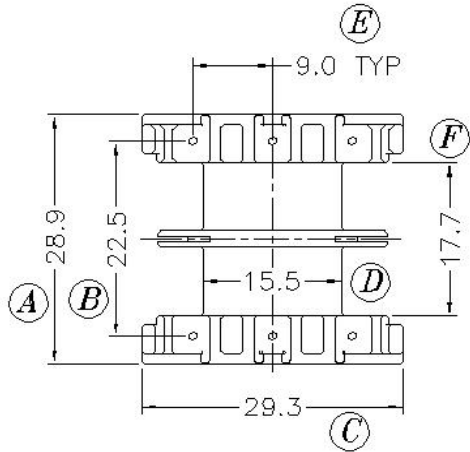


Core Fit Reference

0096

EI-41
Metric

EI-50
American



Scale	Tolerance (mm)		
None	0-4mm +/-0.1	4-16mm +/-0.2	16-60mm +/-0.3

Terminal Plating	Terminal Material	No of Terminals	
100% Sn	CP Wire	6	

Molding Material	UL File No.	Rating	Class
PBT	E59481	UL94-V0	B



Bobbin Part Number			Rev No
B-EIM41X10-1H-6-2-PBT			1