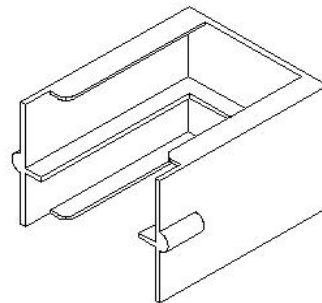
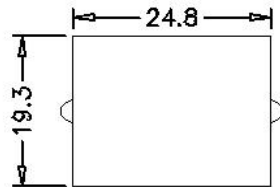
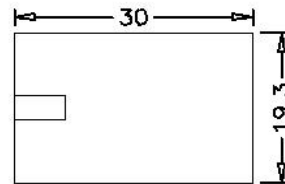
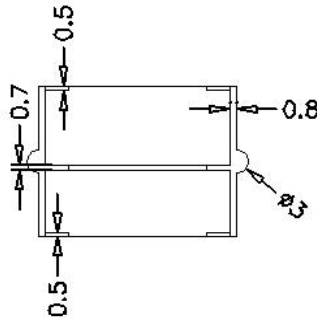
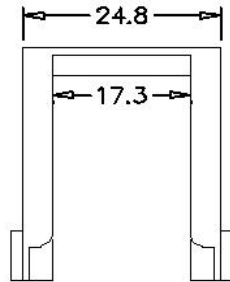




Core Fit Reference

1382		EI-35 Metric	EI-37 American
------	--	-----------------	-------------------



CAN BE USED WITH BOBBIN
B-EIM35X13.5-7H-8-2-PET-S

	Scale	Tolerance (mm)			Terminal Plating	Terminal Material	No of Terminals	
	None	0-4mm +/-0.1	4-16mm +/-0.2	16-60mm +/-0.3	100% Sn	CP Wire		



Molding Material	UL File No.	Rating	Class
FR530	E41938	UL94-V0	N
Bobbin Part Number			Rev No
BS-EIM35X13.5-7H-8-2-PET			1