

LODESTONE PACIFIC

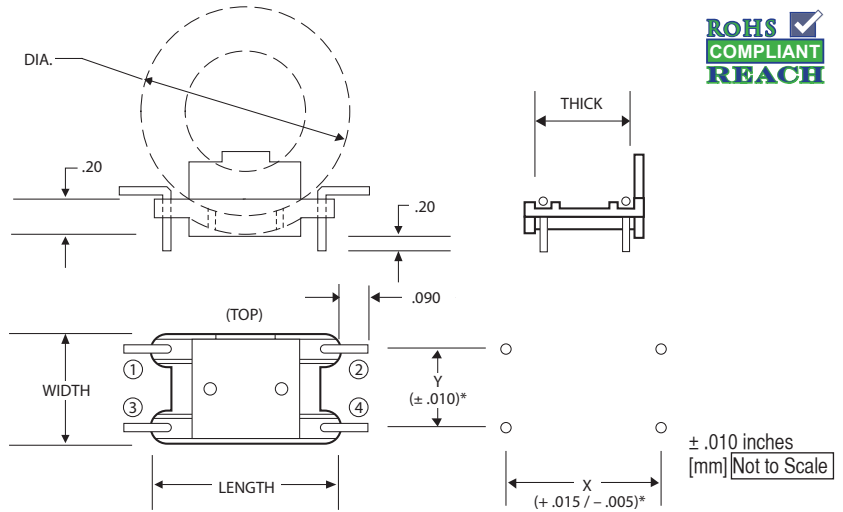


Phone: (800) 694-8089
 www.lodestonepacific.com
 E-mail: sales@lodestonepacific.com

VTM SERIES

Material: GFN/GFN4 (Natural)
UL Rating: UL 94-VO, Class F
4 Terminals: Copper Wire
 100% Tin Plated
Solderability: Per MIL-STD-202
 Method 208
Packaging: Bulk in Polybags

Application: For vertical mounting of wound toroids from 1.00 to 2.8 inches in diameter. The VTM series is available with the four terminals shown or without terminals (.048 through hole).



PART NO.	LENGTH	WIDTH	THICK.	DIA.	X	Y	TERMINALS
VTM120-0	1.00	.60	.51	1.20	.80	.40	None (.048 Holes)
VTM120-4	[25.4]	[15.24]	[12.95]	[30.48]	[20.32]	[10.16]	4=#16 AWG (.050)
VTM160-0	1.10	.80	.71	1.60	.90	.60	None (.048 Holes)
VTM160-4	[27.94]	[20.32]	[18.03]	[40.64]	[22.86]	[15.24]	4=#16 AWG (.050)
VTM254-0	1.40	.90	.81	2.54	1.20	.70	None (.048 Holes)
VTM254-4	[35.56]	[22.86]	[20.57]	[64.51]	[30.48]	[17.78]	4=#16 AWG (.050)
VTM280-0	1.70	1.10	1.01	2.80	1.50	.90	None (.048 Holes)
VTM280-4	[43.18]	[27.94]	[25.65]	[71.12]	[38.1]	[22.86]	4=#16 AWG (.050)

Get Samples
 Request samples and literature and have them ship to you same day.
www.lodestonepacific.com/samplepricing.php

Check Inventory
 View daily updated inventory levels in USA and Hong Kong warehouses.
www.lodestonepacific.com/search.php

Request a Quote
 Request a quote and delivery and have it e-mailed to you same day.
www.lodestonepacific.com/quote.php

Try Me!
Toroid Mount Selector
 Search for a part to match your applications, download the .pdf
www.lodestonepacific.com/selectoroid.php

NEW!
REACH Docs Database
 Search for REACH documents, view or download the certifications .pdf.
www.lodestonepacific.com/reach.php

NEW!
Find a Coil Winder
 Search our Coil Winder Data Base, for capabilities to match your specs.
www.lodestonepacific.com/coilwinders.php