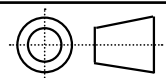
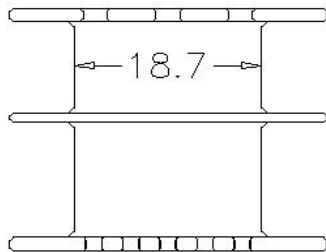
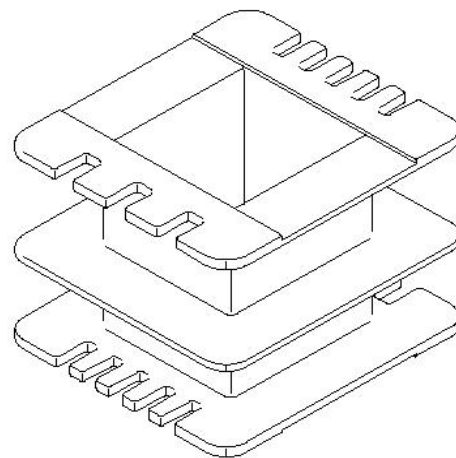
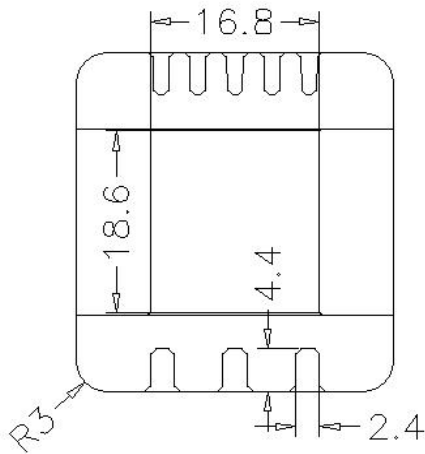
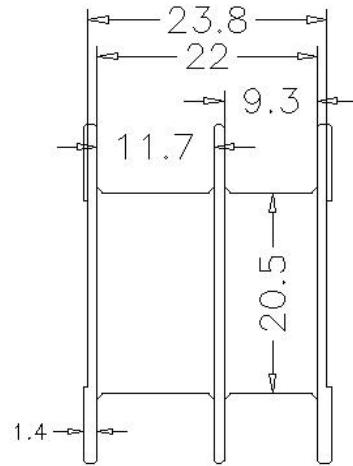
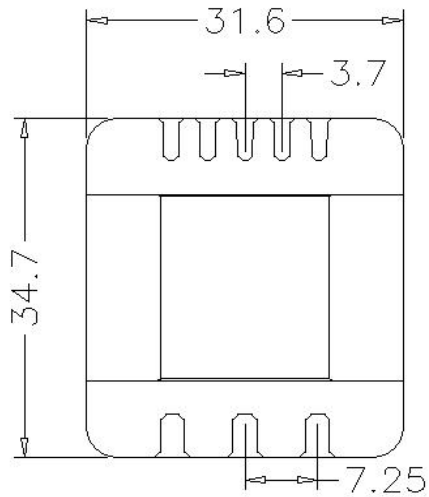


**Core Fit Reference**

<b>1433</b>		<b>EI-48</b>	<b>EI-62</b>
		<b>Metric</b>	<b>American</b>



Scale	Tolerance (mm)			Terminal Plating	Terminal Material	No of Terminals	
None	0-4mm +/-0.1	4-16mm +/-0.2	16-60mm +/-0.3	100% Sn	CP Wire		



**LODESTONE PACIFIC**

**CHINA FACTORY**

[www.lodestonepacific.com](http://www.lodestonepacific.com)

Molding Material	UL File No.	Rating	Class
FR50	E41938	UL94-V0	F
Bobbin Part Number			Rev No
<b>B-EIM48X18-2-GFN</b>			<b>1</b>