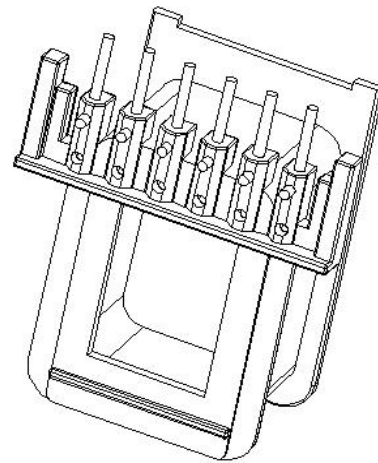
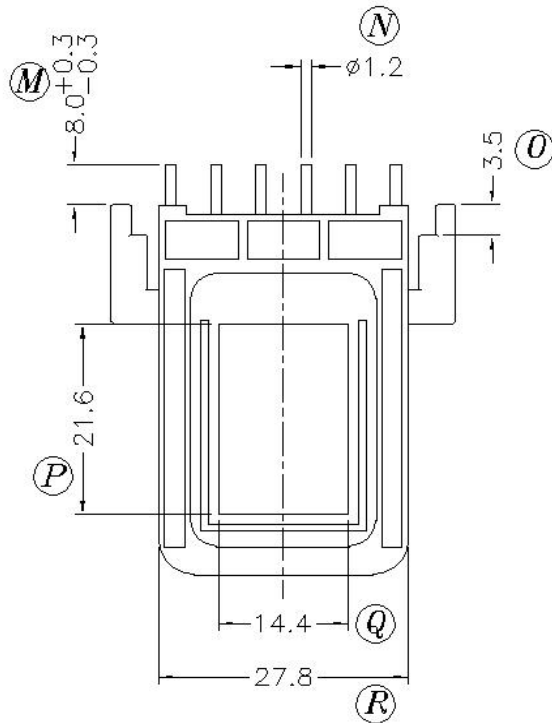
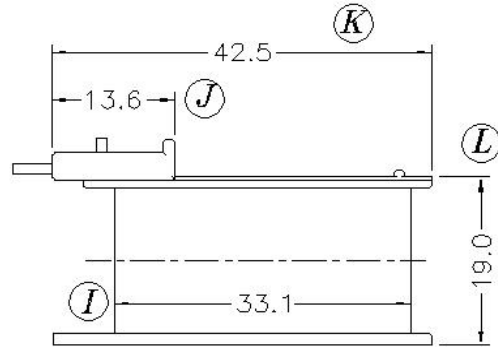
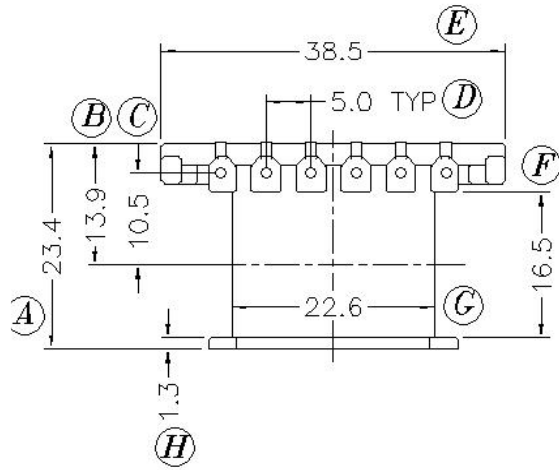
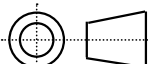


Core Fit Reference

| | | | |
|-------------|--|---------------|-----------------|
| 0149 | | EI-41 | EI-50 |
| | | Metric | American |



TO BE USED WITH
 BB-EIM41X20.5H-4-1-PBT

|  | Scale | Tolerance (mm) | | | Terminal Plating | Terminal Material | No of Terminals | |
|--|-------|----------------|---------------|----------------|------------------|-------------------|-----------------|--|
| | None | 0-4mm +/-0.1 | 4-16mm +/-0.2 | 16-60mm +/-0.3 | 100% Sn | CP Wire | 6 | |

LODESTONE PACIFIC
 **CHINA FACTORY**
www.lodestonepacific.com

| | | | |
|-------------------------------|-------------|---------|----------|
| Molding Material | UL File No. | Rating | Class |
| PBT | E59481 | UL94-V0 | B |
| Bobbin Part Number | | | Rev No |
| BA-EIM41X20.5H-6-1-PBT | | | 1 |