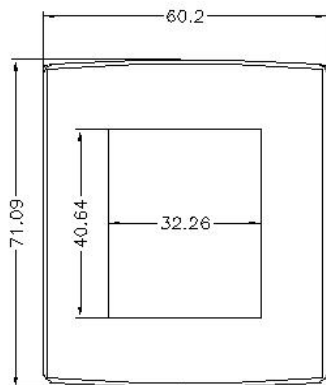
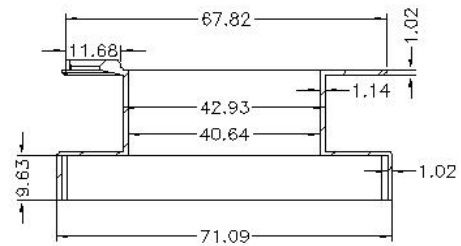
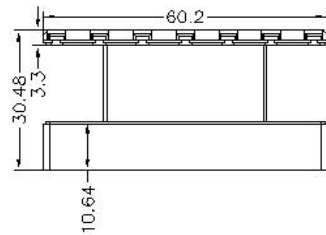
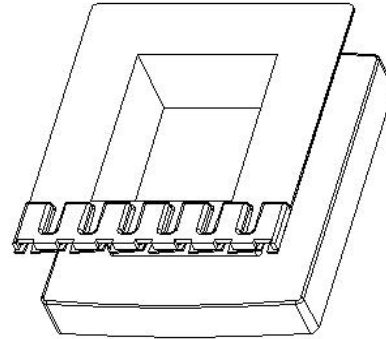
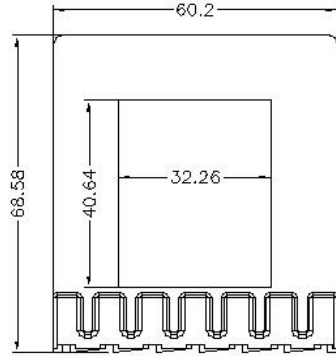
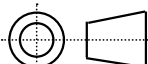


**Core Fit Reference**

<b>1180</b>		<b>EI-96</b>	<b>EI-125</b>
		<b>Metric</b>	<b>American</b>



TO BE USED WITH  
 BB-EIM96X40.5-1-PET

	Scale	Tolerance (mm)			Terminal Plating	Terminal Material	No of Terminals	
	None	0-4mm +/-0.1	4-16mm +/-0.2	16-60mm +/-0.3	100% Sn	CP Wire		



Molding Material	UL File No.	Rating	Class
FR530	E41938	UL94-V0	N
Bobbin Part Number			Rev No
BA-EIM96X40.5-1-PET			1