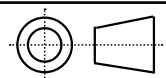
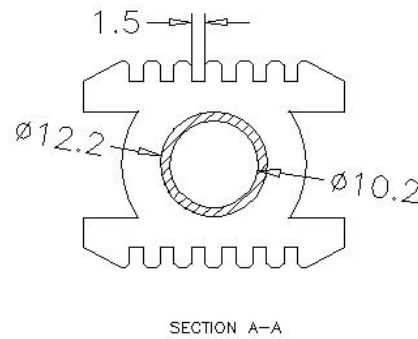
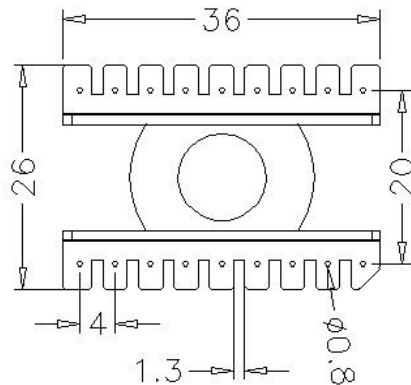
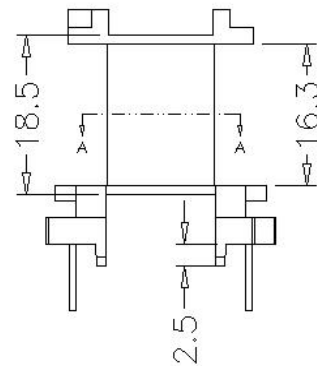
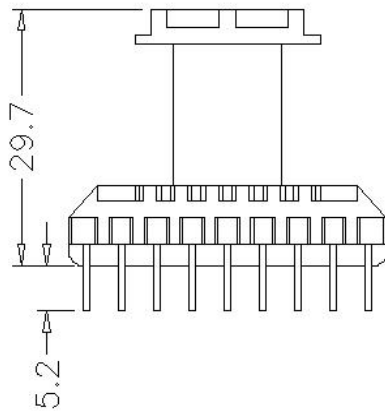
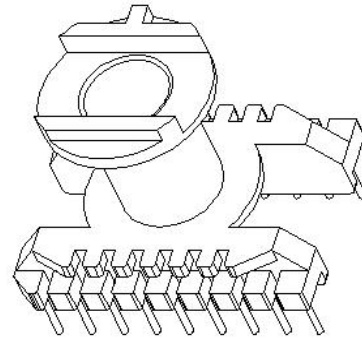
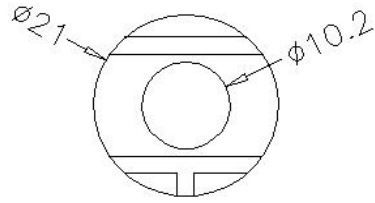




Core Fit Reference

1039	Forroxcube: ER28-****	Fair-Rite:94**282802	Magnetics:OX-42814-EC
	TDK:PCXXER28-Z	Ferrite intl:29-14-11	



Scale	Tolerance (mm)			Terminal Plating	Terminal Material	No of Terminals	
None	0-4mm +/-0.1	4-16mm +/-0.2	16-60mm +/-0.3	100% Sn	CP Wire	18	



Molding Material	UL File No.	Rating	Class
PM-9820	E41429	UL94-V0	N
Bobbin Part Number			Rev No
B-EER2828-7V-18-1-PH2			1