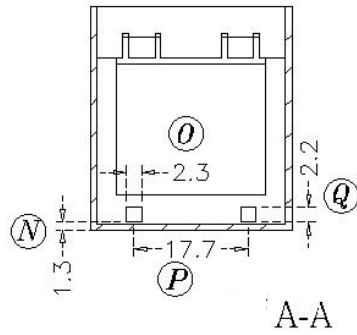
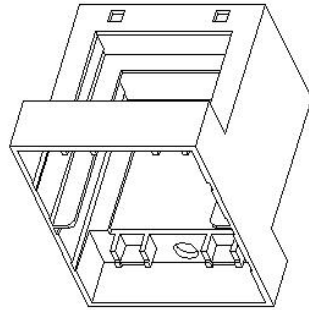
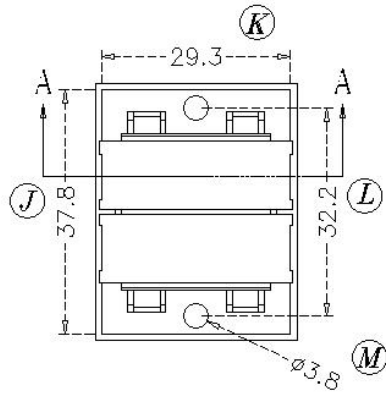
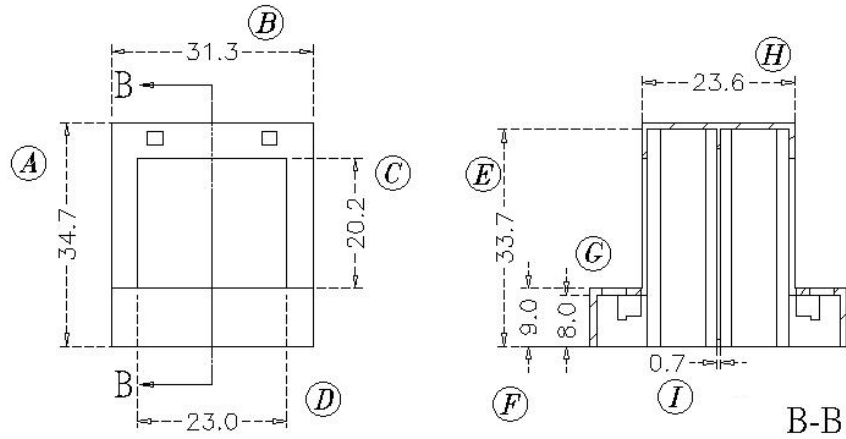


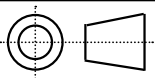


**Core Fit Reference**

<b>0674</b>	<b>TDK:PC**EE47/39-Z</b>	<b>Ferrite Intl:47-21-16</b>	<b>Magnetics:X-44721-EC</b>
<b>Simens:B66383</b>	<b>Fair-Rite:94**625002</b>	<b>Ferroxcube:E625-3***</b>	<b>Micrometals:E187-X</b>



CAN BE USED WITH BOBBIN  
B-EI625H-8-2-PET-L-VDE



Scale	Tolerance (mm)		
None	0-4mm +/-0.1	4-16mm +/-0.2	16-60mm +/-0.3

Terminal Plating	Terminal Material	No of Terminals	
100% Sn	CP Wire		



Molding Material	UL File No.	Rating	Class
FR530	E41938	UL94-V0	N
Bobbin Part Number			Rev No
BS-EI625H-8-2-PET-L-VDE			1