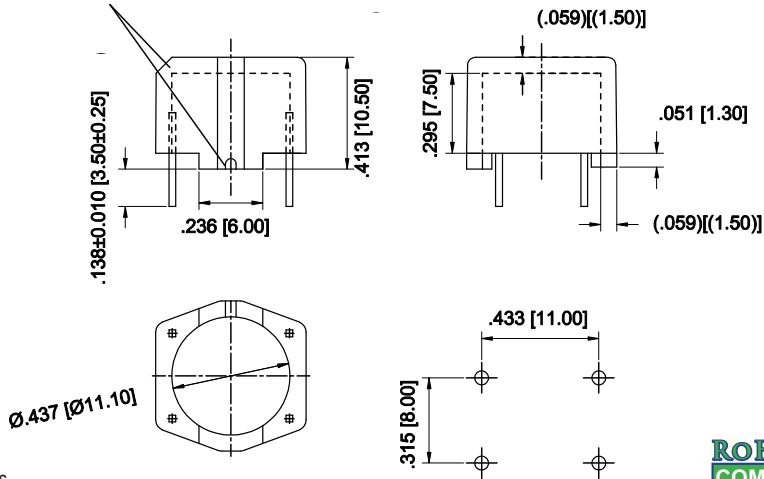


HTC315-4

TERMINAL
ID MARK



± .010 inches
[mm] Not to Scale



Material: GFN (Natural)
UL Rating: UL94-VO, Class F
4 Terminals: CP Wire 100% Tin
Solderability: Per MIL-STD-202 Method 208

Package Method: Bulk in Poly Bags
See RoHS compliant PET packaging trays options on page 47.

Application: For enclosed horizontal mounting of wound toroids up to .400 inches in diameter.