

NEW

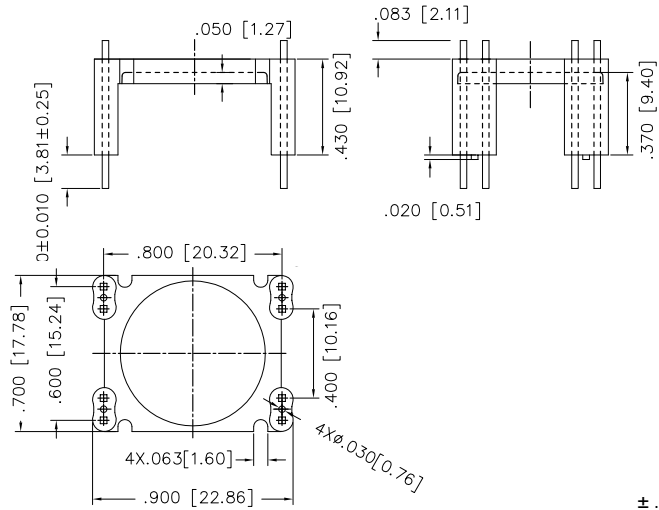
TM650-8

Material: DAP4 (Black)
UL Rating: UL94-VO, Class F
8 Terminals: Phosphorus Bronze
 .030 [.76mm] Sq, 100% Tin Plate
Solderability: MIL-STD-202
 Method 208

Package Method: Bulk in Polybags
 See RoHS compliant PET packaging trays
 options on page 47.

Application: For horizontal mounting of
 wound toroids under the platform up to
 .650 inches in diameter.

Made in our China Factory



\pm .010 inches
 [mm] [Not to Scale]