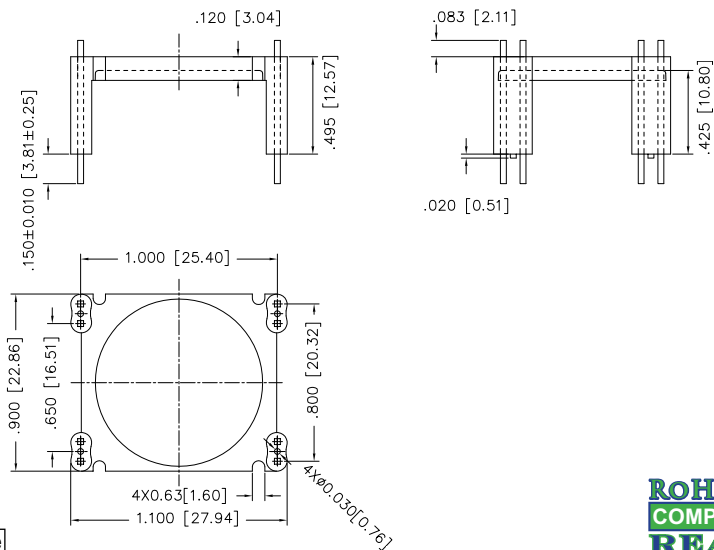


NEW

TM850-8



± .010 inches
[mm] Not to Scale



Material: DAP4 (Black)
UL Rating: UL94-VO, Class F
8 Terminals: Phosphorus Bronze
.030 [.76mm] Sq, 100% Tin Plate
Solderability: MIL-STD-202
Method 208
Package Method: Bulk in Polybags
See RoHS compliant PET packaging trays
options on page 47.
Application: For horizontal mounting of
wound toroids under the platform up to
.650 inches in diameter.

Made in our China Factory