

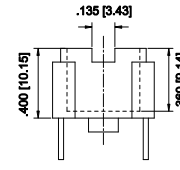
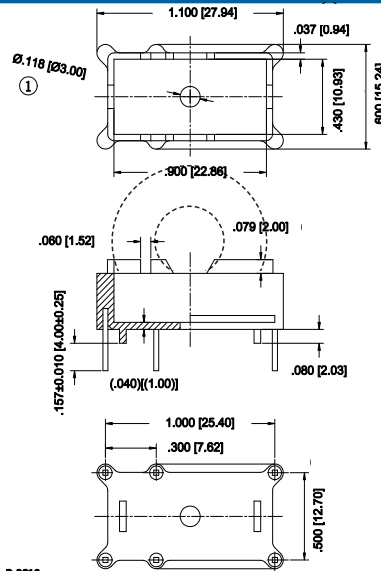
TM900-6

Material: GFN Natural
UL Rating: UL94-VO, Class F
6 Terminals: CP Wire
.030 (.76mm) square, 100% Tin Plate.
Solderability: Per MIL-STD-202
Method 208
Packaging Tray: Bulk in Polybags
Application: For vertical mounting of
wound toroids up to .90 inches in
diameter requiring up to 6 terminations.

Made in our China Factory



© 2018



± .010 inches
[mm] [Not to Scale]

NEW